



Engineered to be the fastest

SBX410



CHECK FOR THE LATEST
VERSION OF THIS
INSTRUCTION MANUAL

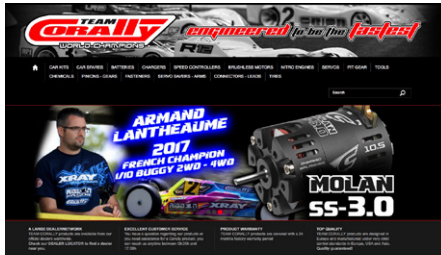


INSTRUCTION MANUAL

2023-V4

**STAY
TUNED...**

WWW.CORALLY.COM



<https://www.facebook.com/Team.Corally>

SBX410

RECOMMENDED ACCESSORIES

MOLAN SS3.0 Modified - 3.5 Turns



- Adjustable Timing
- High power solder tabs
- Removable and replaceable rotor
- Powerful sintered Neodymium magnet
- Improved stator design for higher efficiency
- Precision machined T6 aluminium motor can
- High purity copper windings maximizes conductivity
- Compatible with all Sensored / Sensorless ESC

"CS 4014" SERVO HIGH SPEED - HIGH VOLTAGE SERVO



C-52002

- Low Profile Servo
- Titanium Gears
- Ultra High Speed
- 12 Kg Torque/cm @ 7.4V
- High Voltage 6 - 8.4V
- Speed 0.08 sec/60°
- Coreless Motor
- Weight 56g

CONTROLLER "CERIX 160 PRO"

C-53003-1



- For sensored and sensorless motors
- Manufactured with the highest grade components
- Ultra compact design
- Aluminium case for improved heat dissipation
- Built in power switch
- Advanced boost & turbo timing system for improved acceleration performance
- Enhanced throttle & brake control function.
- 10 programmed profiles can be stored in the ESC
- BEC voltage 6.0V 3A Current
- Powerful TC Link software to test motor timing and advise the best ESC timing setting

RECOMMENDED ACCESSORIES & TOOLS

VOLTAX 120C

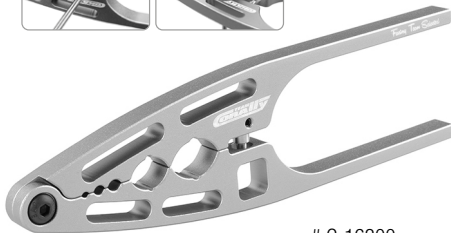


Voltax 120C LiPo Battery

C-49505 5000mAh - 7.4V - Shorty 2S

TC Shock Pliers

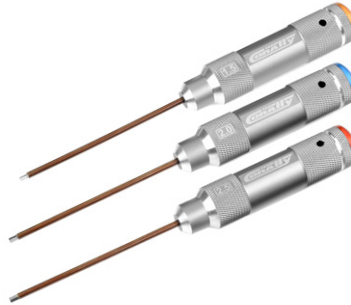
For use with 1/12 - 1/10 - 1/8 scale



C-16300

Hex Drivers

Aluminium handle • Hardened tool tip



C-16130 Factory Pro Tool - Hex Driver 1.5 mm

C-16131 Factory Pro Tool - Hex Driver 2.0 mm

C-16132 Factory Pro Tool - Hex Driver 2.5 mm

Cutter Knife - Needle Nose Pliers

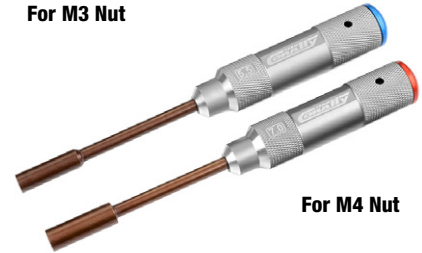
For plastic parts and circlips



Nut Drivers

Aluminium handle • Hardened tool tip

For M3 Nut



For M4 Nut

C-16161 Factory Pro Tool - Nut Driver 5.5 mm

C-16162 Factory Pro Tool - Nut Driver 7.0 mm

100 Lock-It
Screwlock - Soft



C-13094

105 Stick-It
Thin - CA Glue

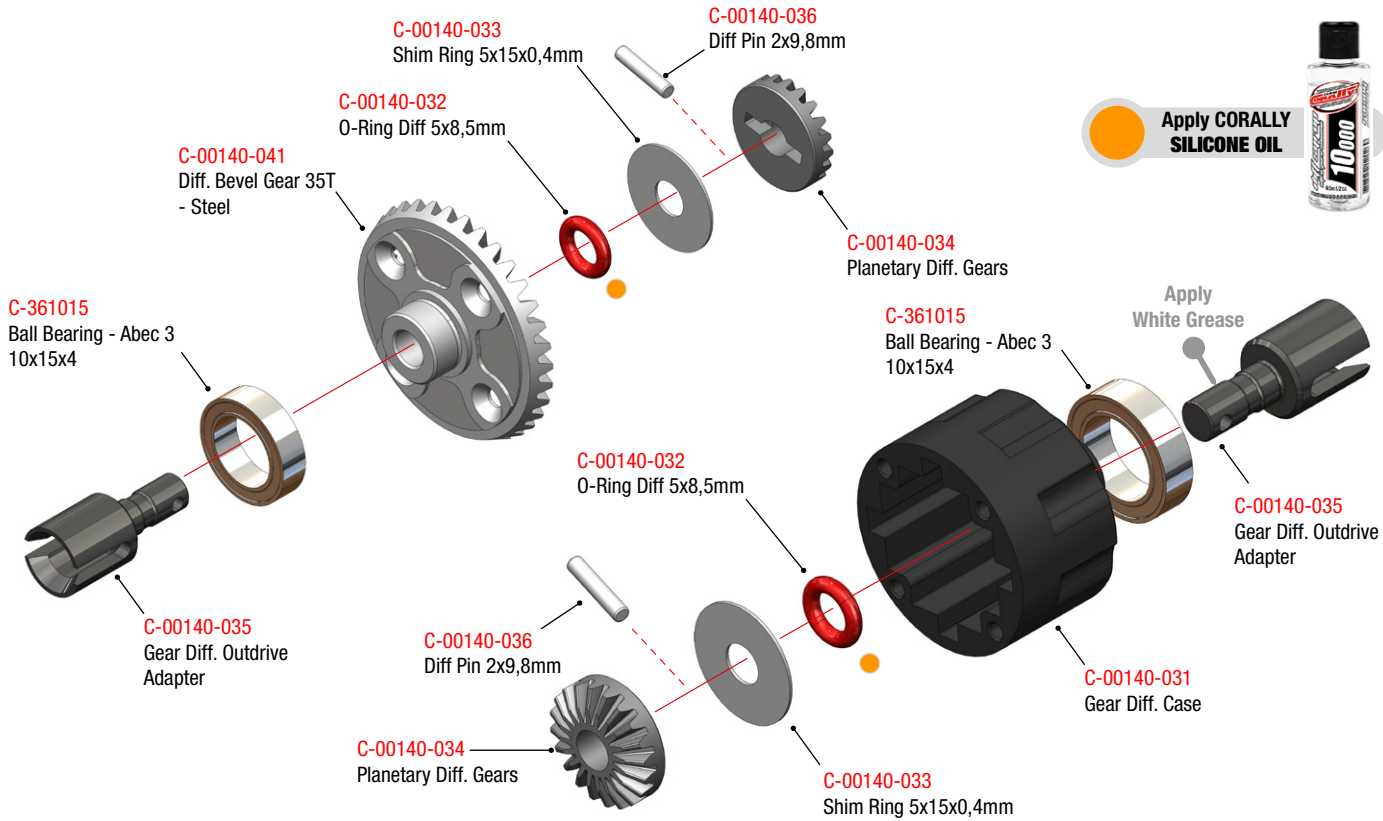


C-13090

1

FRONT & REAR DIFFERENTIAL

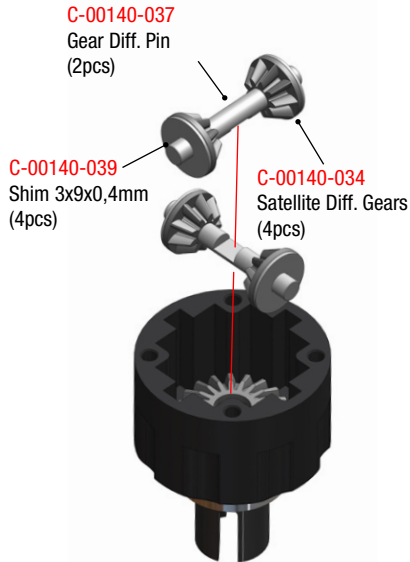
DIFFÉRENTIEL AVANT ET ARRIÈRE • DIFFERENTIEEL VOOR EN ACHTER • DIFFERENZIAL VORNE UND HINTEN





2 FRONT & REAR DIFFERENTIAL

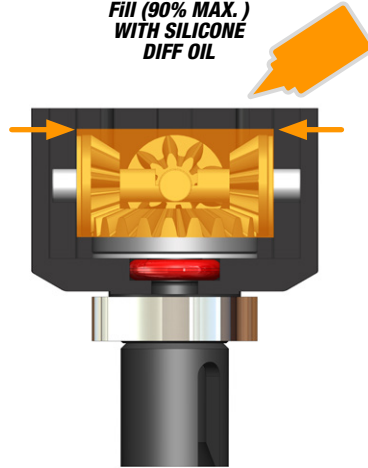
DIFFÉRENTIEL AVANT ET ARRIÈRE • DIFFERENTIEEL VOOR EN ACHTER • DIFFERENZIAL VORNE UND HINTEN



Use CORALLY
SILICONE OIL

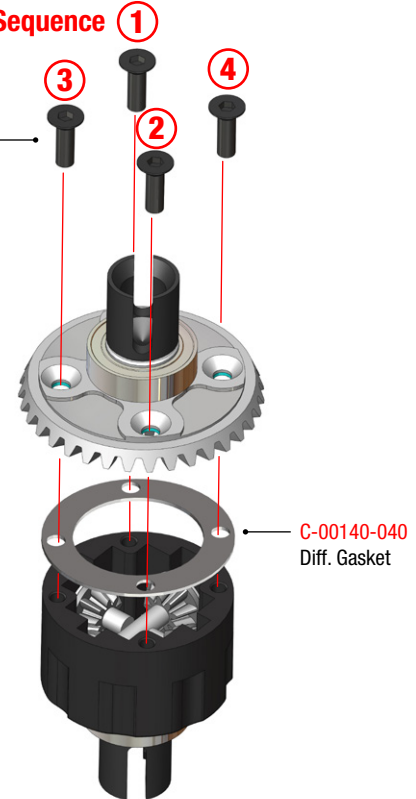


Fill (90% MAX.)
WITH SILICONE
DIFF OIL



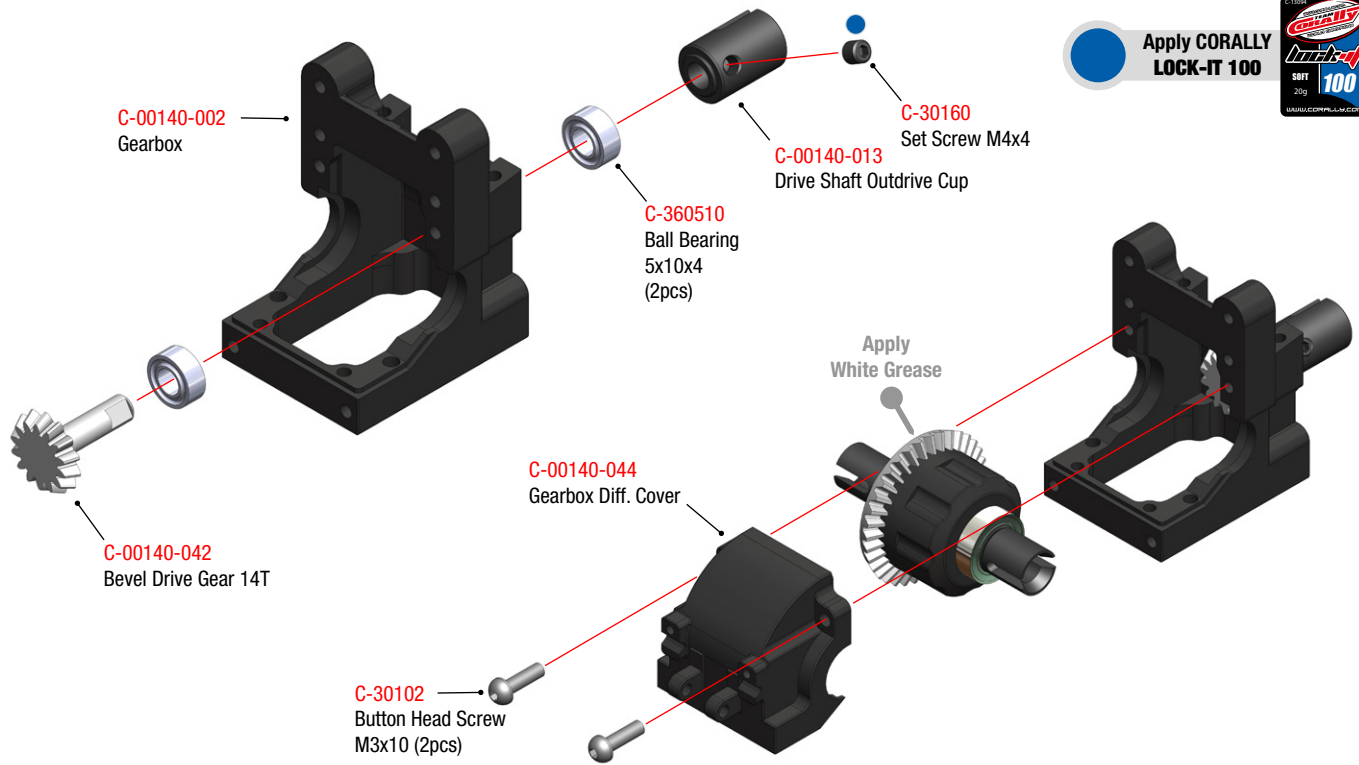
Tightening Sequence 1

C-3002-25-08
Flat Head Screw
M2.5x8
(4pcs)



3 GEAR BOX ASSEMBLY - FRONT & REAR
ASSEMBLAGE DU BOITIER DE TRANSMISSION • VERSNELLINGSBAKMONTAGE - VOOR & ACHTER • GETRIEBEMONTAGE - VORNE UND HINTEN

Apply CORALLY
LOCK-IT 100





4

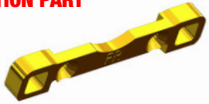
GEAR BOX ASSEMBLY - FRONT & REAR

ASSEMBLAGE DU BOITIER DE TRANSMISSION • VERSNELLINGSBAKMONTAGE - VOOR & ACHTER • GETRIEBEMONTAGE - VORNE UND HINTEN

FRONT GEAR BOX

REAR GEAR BOX

OPTION PART

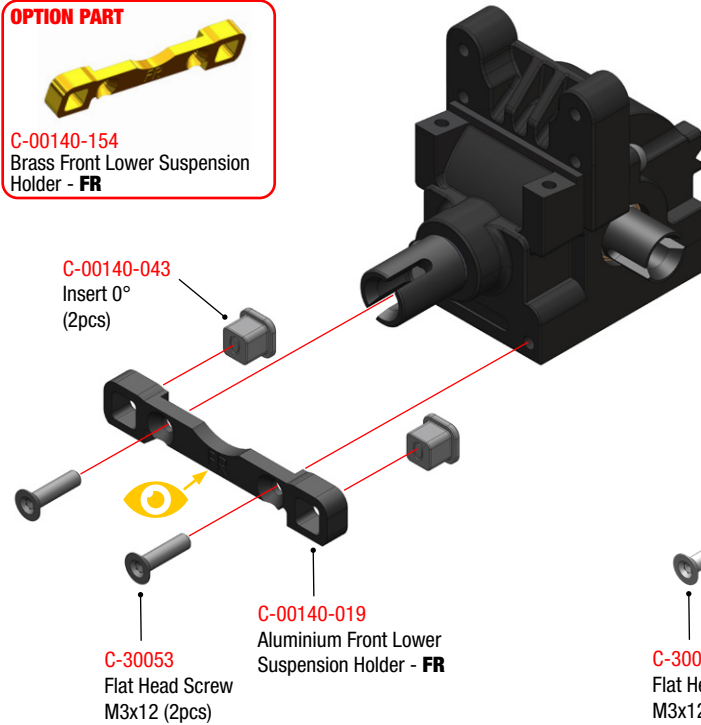


C-00140-154
Brass Front Lower Suspension
Holder - **FR**

OPTION PART



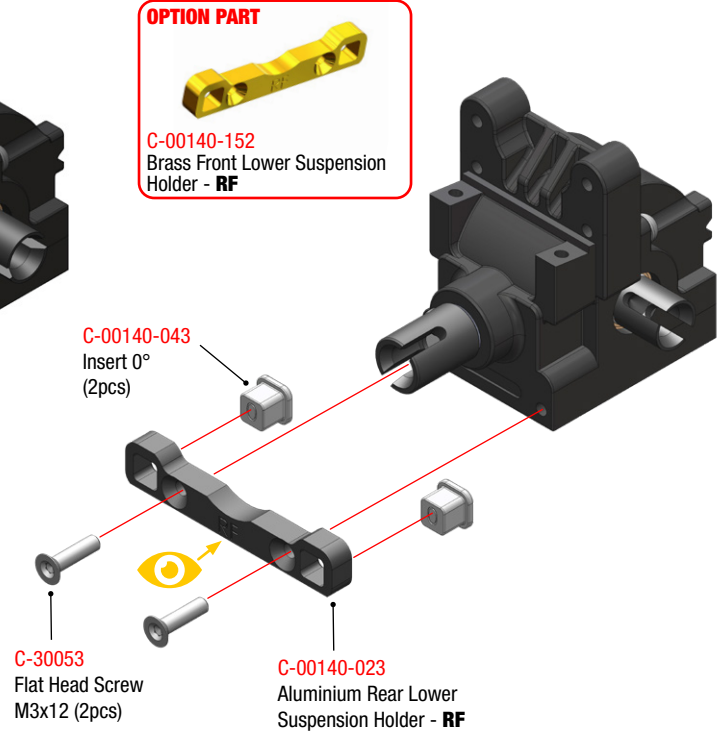
C-00140-152
Brass Front Lower Suspension
Holder - **RF**



C-00140-043
Insert 0°
(2pcs)

C-00140-019
Aluminium Front Lower
Suspension Holder - **FR**

C-30053
Flat Head Screw
M3x12 (2pcs)



C-00140-043
Insert 0°
(2pcs)

C-00140-023
Aluminium Rear Lower
Suspension Holder - **RF**

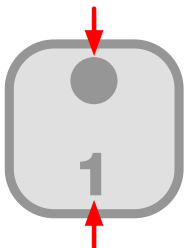
C-30053
Flat Head Screw
M3x12 (2pcs)

ECCENTRIC INSERT OFFSETS SETTINGS

RÉGLAGES DE L'INSERT EXCENTRIQUE • EXCENTRISCHE INZETSTUK INSTELLINGEN • EXZENTEREINSATZ-EINSTELLUNGEN

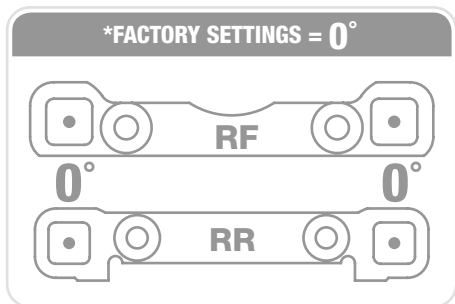
THE DOT INDICATES THE HOLE POSITION

LE POINT INDIQUE LA POSITION DE L'ORIFICE
DE PUNT GEEFT DE POSITIE VAN HET GAT AAN
DER PUNKT ZEIGT DIE POSITION DES LOCHS AN



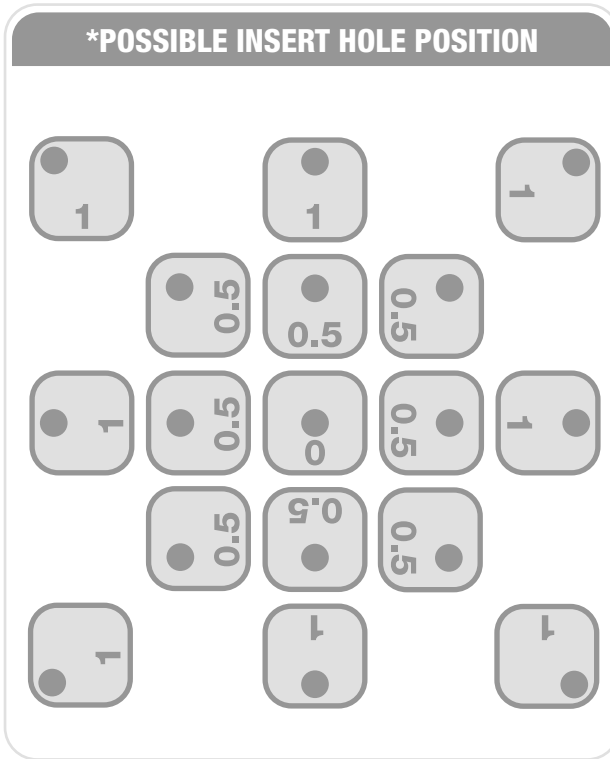
THE NUMBER INDICATES THE VALUE (°)

LE CHIFFRE INDIQUE LA VALEUR EN (°)
HET GETAL GEEFT DE WAARDE IN (°) AAN
DIE ZAHL GIBT DEN WERT IN (°) AN



*Réglage d'usine : 0°. • Fabrieksinstelling 0° • Werkseinstellung 0°

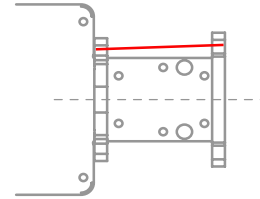
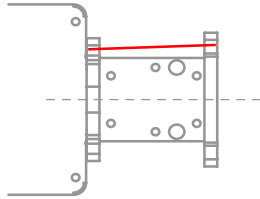
***POSSIBLE INSERT HOLE POSITION**



*Position possible de l'insert • Mogelijke plaats van inzet • Mögliche Einsatzposition



TOE ANGLE



TOE ANGLE 0.5°

TOE ANGLE 1°

		2°
		1,5°
		1°
		2,5°
		2°
		1,5°
		3°
		2,5°
		2°

		2°
		1°
		0°
		3°
		2°
		1°
		4°
		3°
		2°

ANTI-SQUAT ANGLE



ANTI-SQUAT ANGLE 0.5°

		2°
		1,5°
		1°
		2,5°
		2°
		1,5°
		3°
		2,5°
		2°

ANTI-SQUAT ANGLE 1°

		2°
		1°
		0°
		3°
		2°
		1°
		4°
		3°
		2°

0 5 10 15 20

ROLL CENTRE



ROLL CENTRE

		+0,70mm
		+0,35mm
		0mm
		-0,35mm
		-0,70mm

5

FRONT SUSPENSION ARMS ASSEMBLY - L&R

BRAS DE SUSPENSION AVANT - G&D • VOORWIELOPHANGING - L&R • MONTAGE DER VORDEREN QUERLENKER - L&R

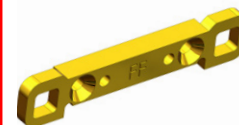
OPTION PART



C-00140-128 Front Suspension Arm Stiffener - Carbon - **Left**

C-00140-129 Front Suspension Arm Stiffener - Carbon - **Right**

OPTION PART



C-00140-155
Brass Front Lower Suspension Holder - **FF**

C-00140-043
Insert 0°
(2pcs)

C-30053
Flat Head Screw
M3x12 - (2pcs)

C-00140-020
Aluminium Front Lower
Suspension Holder - **FF**

C-00140-045
Lower Inner Pivot Pin

C-00140-117
Lower Arm Shim 2mm

C-00140-046
Front Lower Suspension Arm

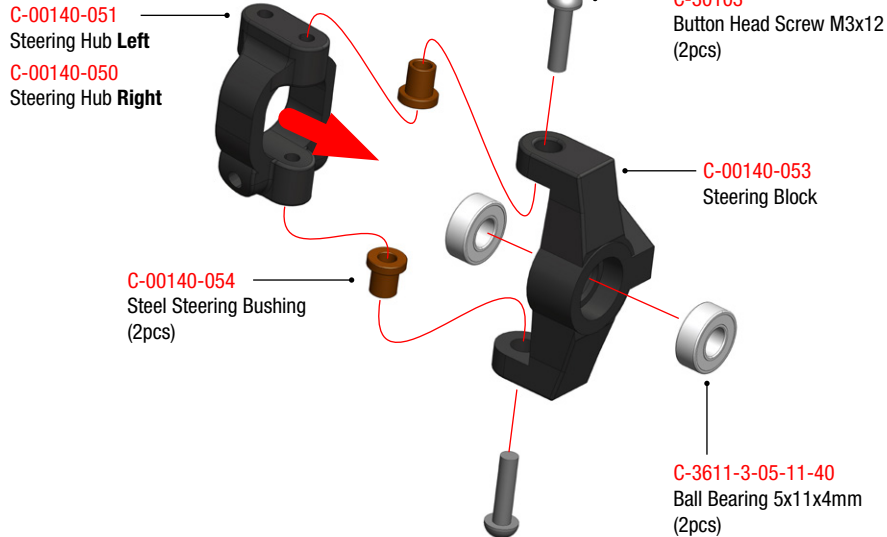




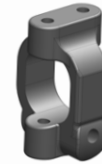
6

FRONT HUB CARRIER ASSEMBLY - L&R

SUPPORT DE MOYEU AVANT - G&D • VOORNAAFDRAGERS - L&R • VORDERRADNABENTRÄGER - L&R

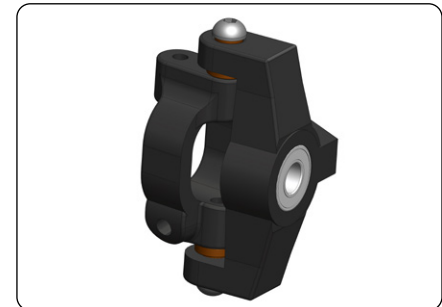


OPTION PART

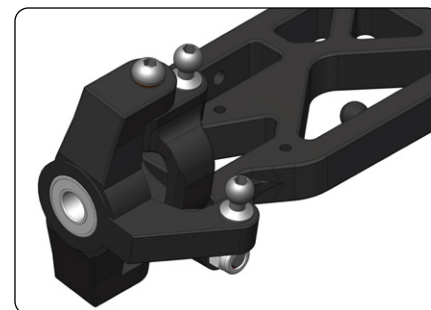
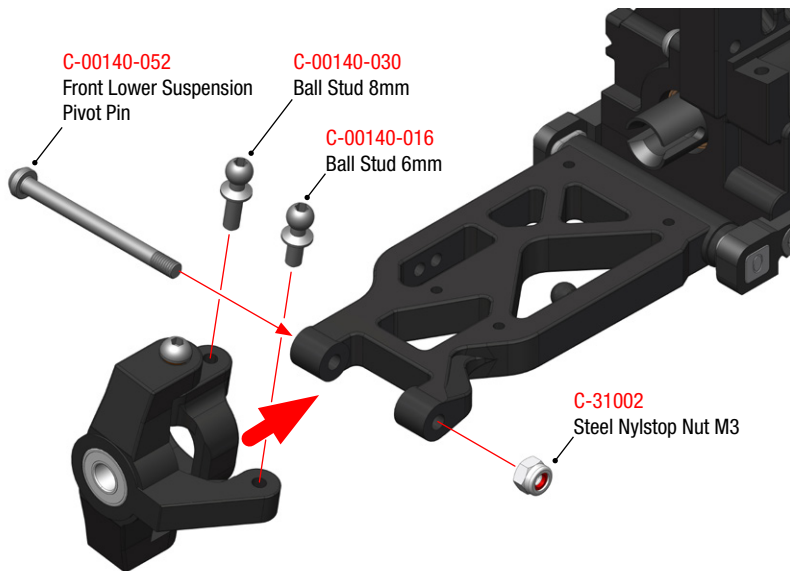


C-00140-124
Aluminium Steering Hub - **Left**

C-00140-125
Aluminium Steering Hub - **Right**



7 FRONT SUSPENSION ASSEMBLY - L&R
ASSEMBLAGE DE LA SUSPENSION AVANT - G&D • MONTAGE VAN DE VOORWIELOPHANGING - L&R • VORDERRADAUFHÄNGUNG - L&R

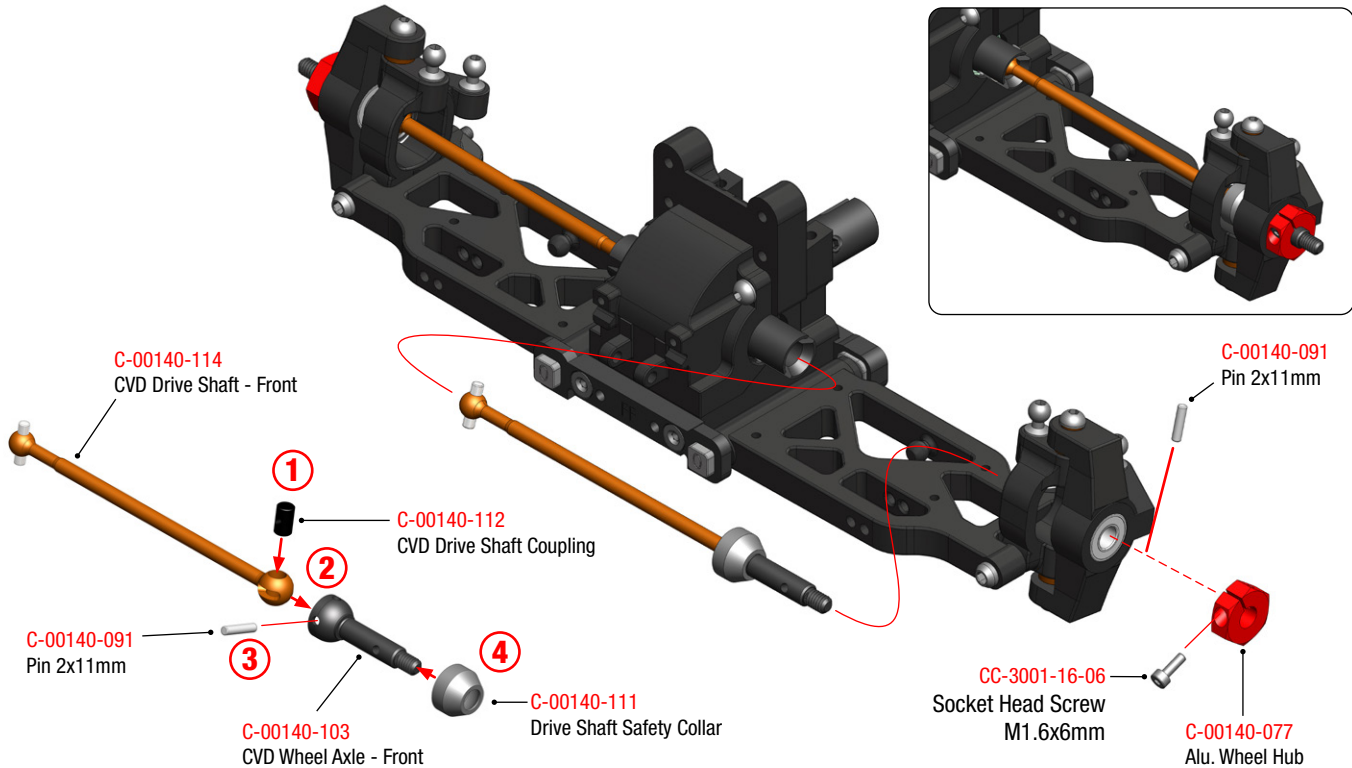




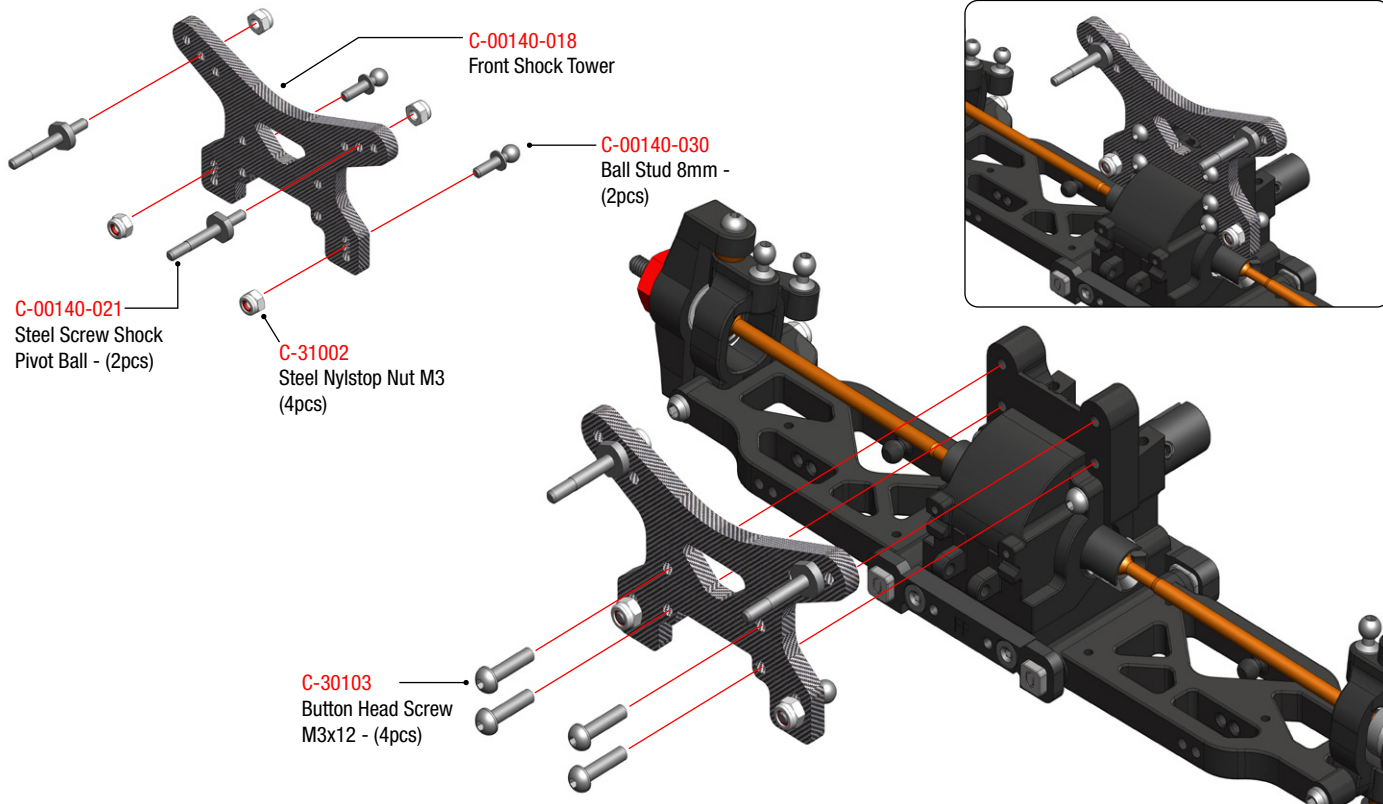
8

FRONT DRIVE SHAFT ASSEMBLY - L&R

ASSEMBLAGE DE LA TRANSMISSION AVANT - G&D • VOORSTE TRANSMISSIEASSEMBLAGE - L&R • MONTAGE DES VORDEREN GETRIEBES - L&R



9 FRONT SHOCK TOWER ASSEMBLY
MONTAGE DU SUPPORT D'AMORTISSEURS AVANT • MONTAGE VAN DE VOORSTE SCHOKDEMPESTEUN • STOSSDÄMPFERBRÜCKE VORNE





10

REAR SUSPENSION ASSEMBLY

MONTAGE DE LA SUSPENSION ARRIERE • MONTAGE VAN DE ACHTERWIELOPHANGING • HINTERRADAUFHÄNGUNG

OPTION PART

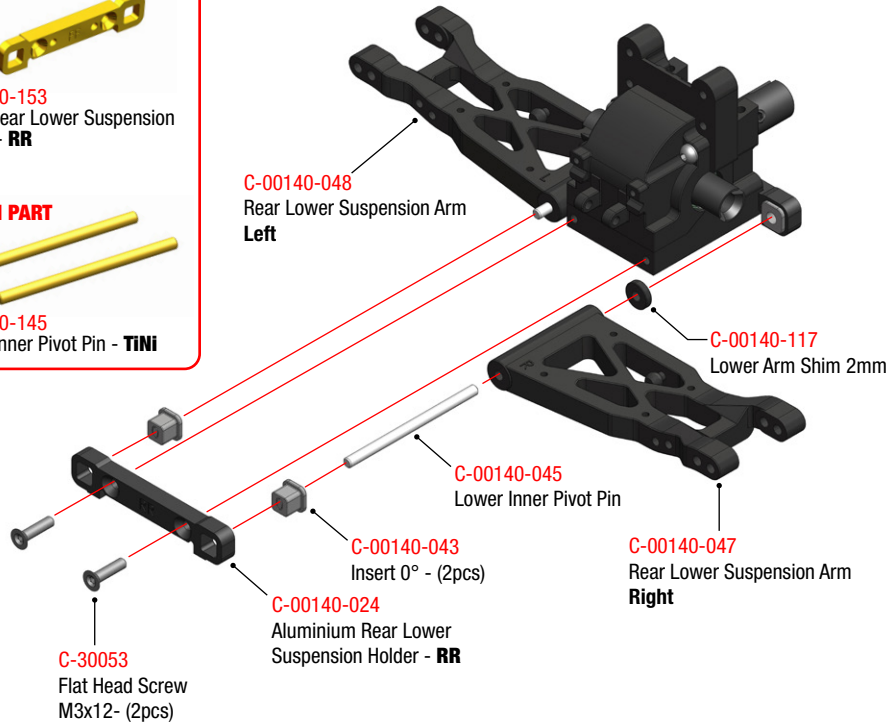


C-00140-153
Brass Rear Lower Suspension
Holder - **RR**

OPTION PART



C-00140-145
Lower Inner Pivot Pin - **TINI**

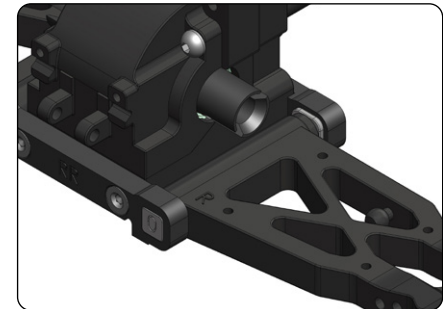


OPTION PART

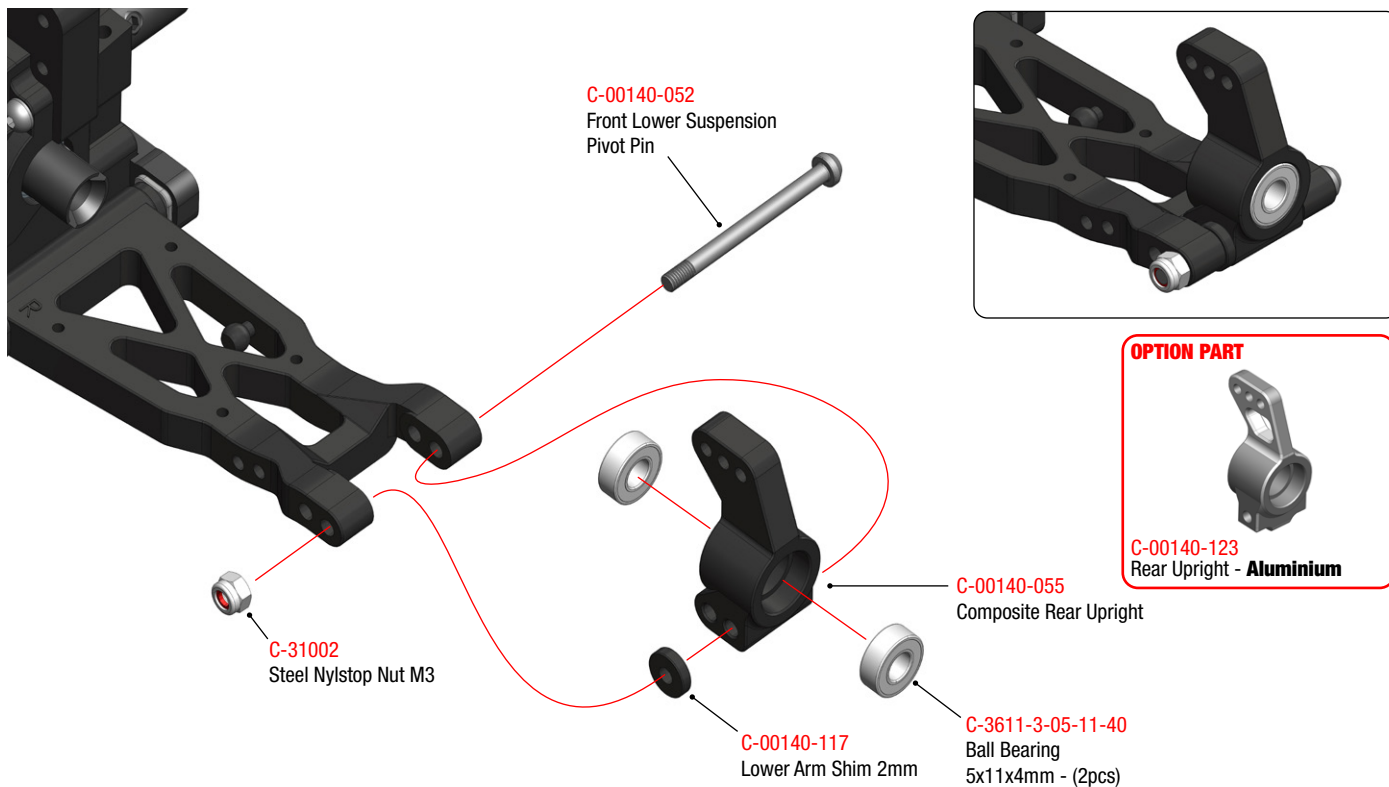


C-00140-126 Rear Suspension Arm
Stiffener - Carbon - **Left**

C-00140-127 Rear Suspension Arm
Stiffener - Carbon - **Right**



11 **REAR HUB CARRIER ASSEMBLY - L&R**
ASSEMBLAGE DU SUPPORT DE MOYEU ARRIÈRE - G&D • ACHTERNAAFDRAGERS - L&R • HINTERE NABENTRÄGERBAUGRUPPE - L&R

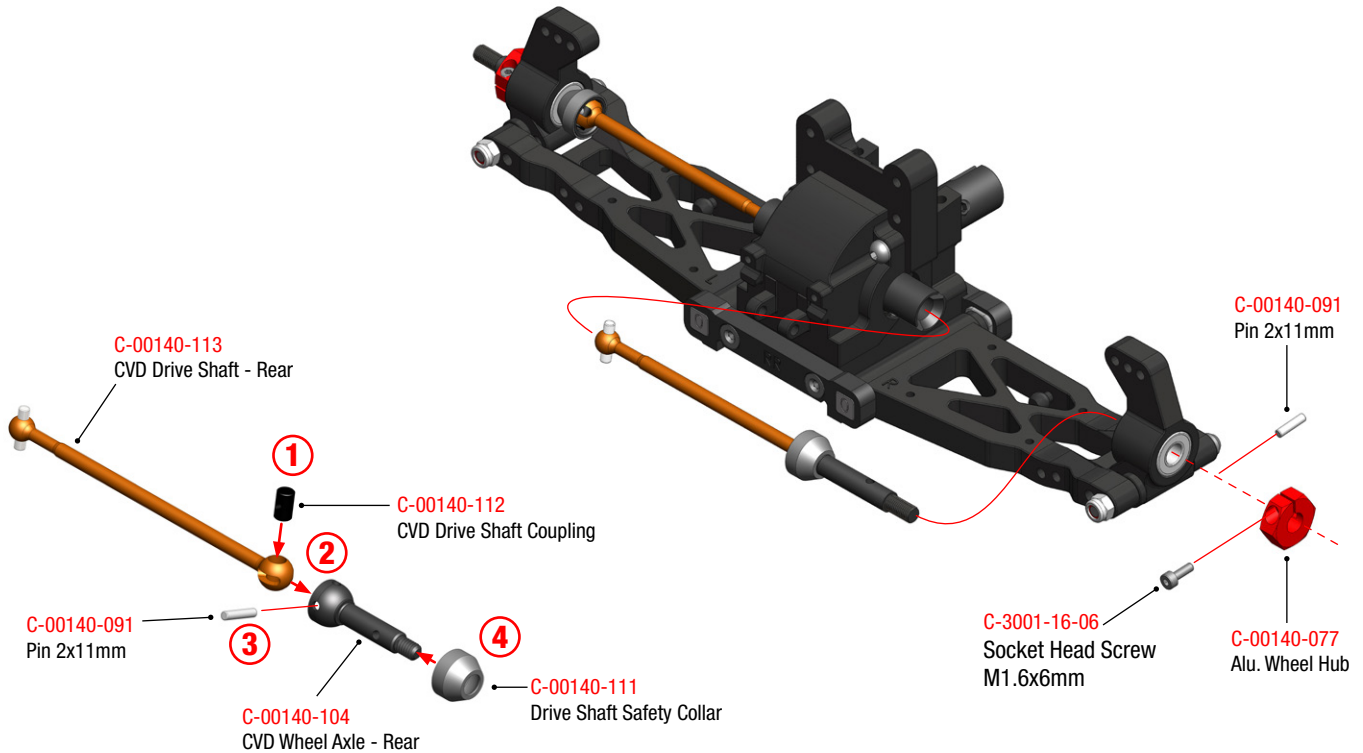




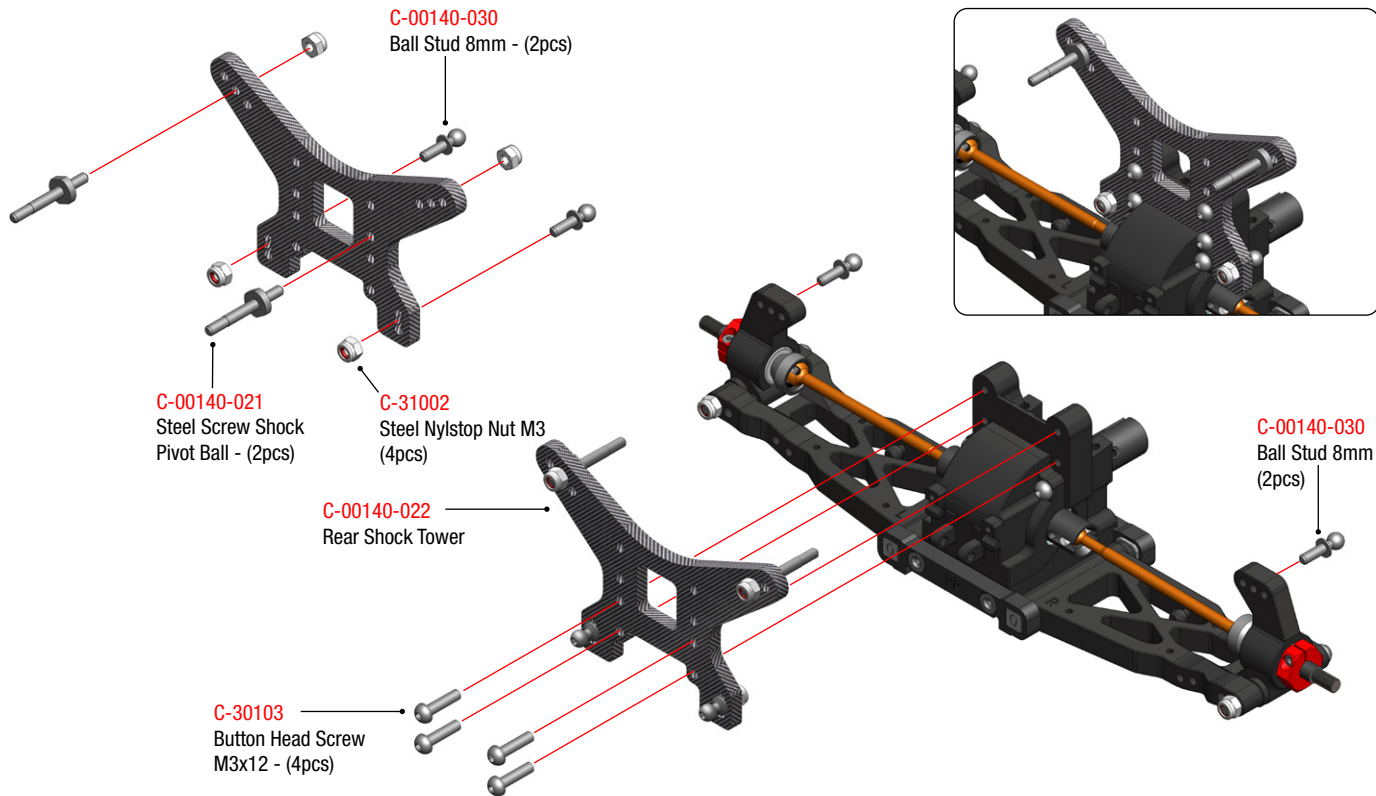
12

REAR DRIVE SHAFT ASSEMBLY - L&R

ASSEMBLAGE DE LA TRANSMISSION ARRIERE - G&D • ACHTERSTE TRANSMISSIEASSEMBLAGE - L&R • MONTAGE DES HINTEREN ANTRIEBS - L&R



13 REAR SHOCK TOWER ASSEMBLY
MONTAGE DU SUPPORT D'AMORTISSEURS ARRIERE • MONTAGE VAN DE ACHTERSCHOKDEMPESTEUN • MONTAGE DES HINTEREN STOSSDÄMPFERHALTERS





14

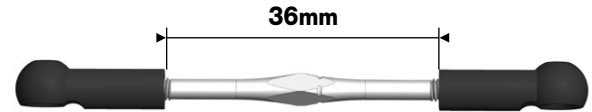
REAR SUSPENSION UPPER ARMS ASSEMBLY - L&R

MONTAGE DES BRAS DE SUSPENSION AR • MONTAGE VAN DE ACHTERSTE OPHANGINGSARMEN • MONTAGE DER HINTEREN LENKER

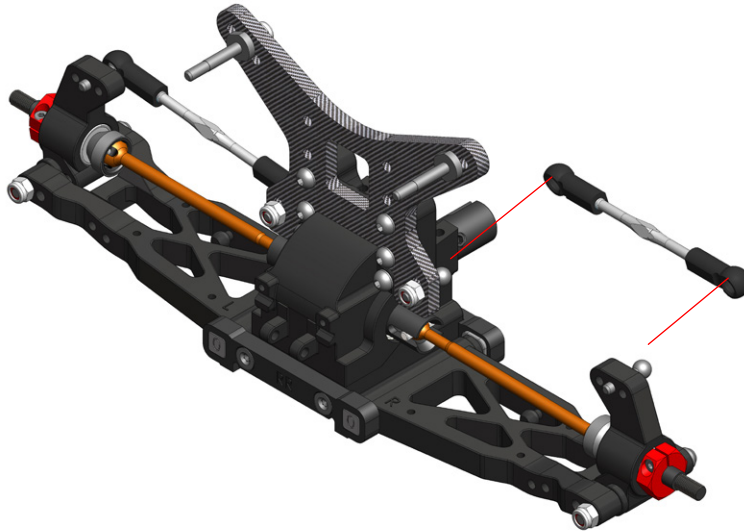


C-00140-057
Turnbuckle 54mm

C-00140-056
Ball Joint - (2pcs)



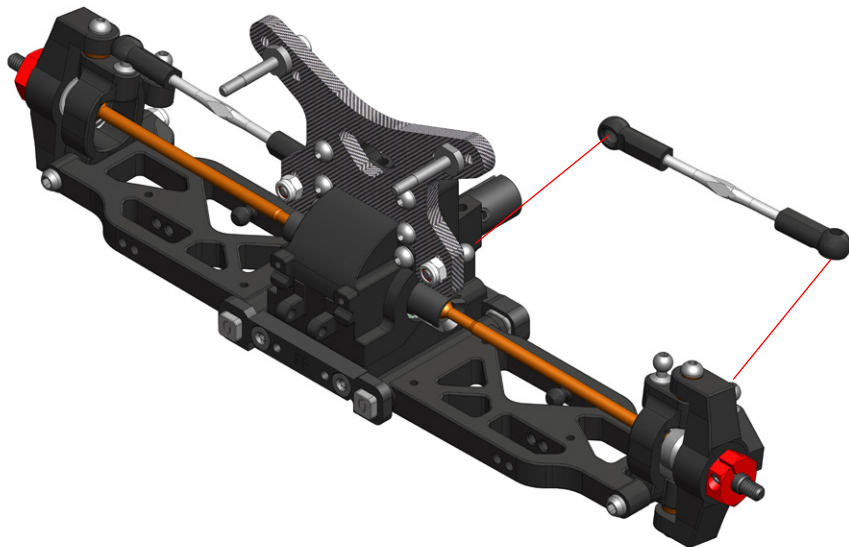
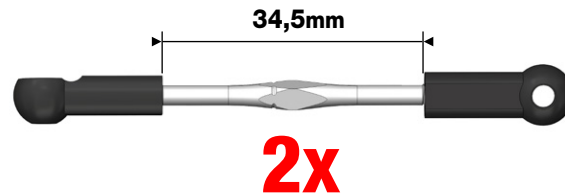
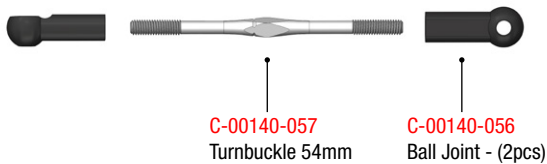
2x



C-16300

- Install the pivot ball using the Corally Professional Pliers
- Installez la boule de pivot à l'aide de la pince Corally.
- Monteer de draaikogel met de Corally-tang.
- Montieren Sie die Gelenkkugel mit der Corally-Zange

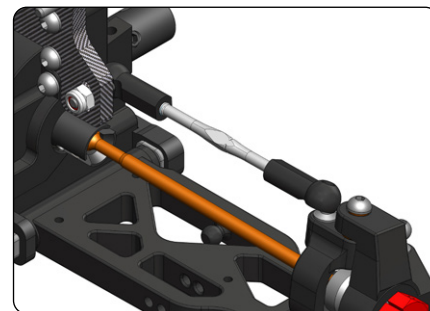
15 **FRONT SUSPENSION UPPER ARMS ASSEMBLY - L&R**
MONTAGE DES BRAS DE SUSPENSION AV • MONTAGE VAN DE VOORSTE OPHANGINGSARMEN • MONTAGE DER VORDEREN QUERLENKER



OPTION PART



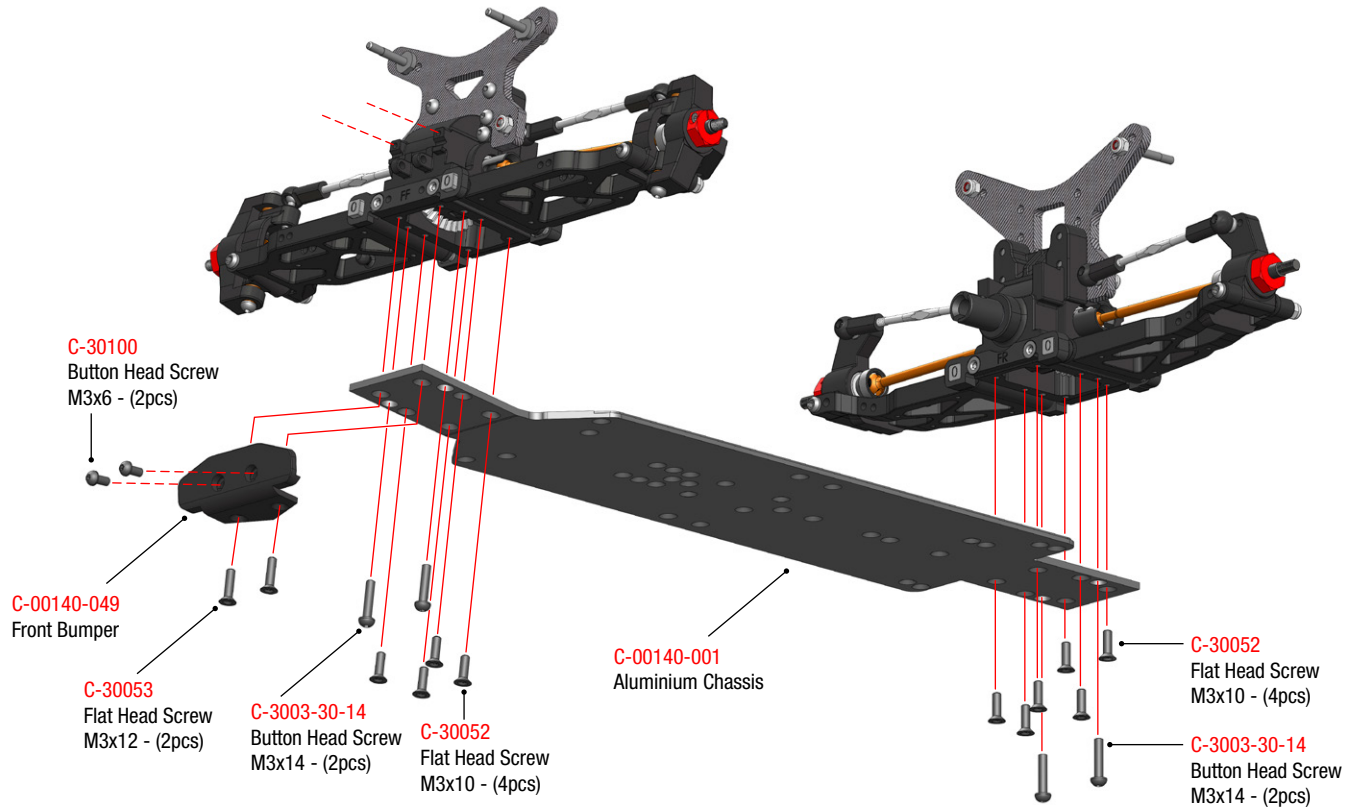
C-00140-146
Turnbuckle 54mm - **Titane**





16 DRIVE TRAINS INSTALLATION

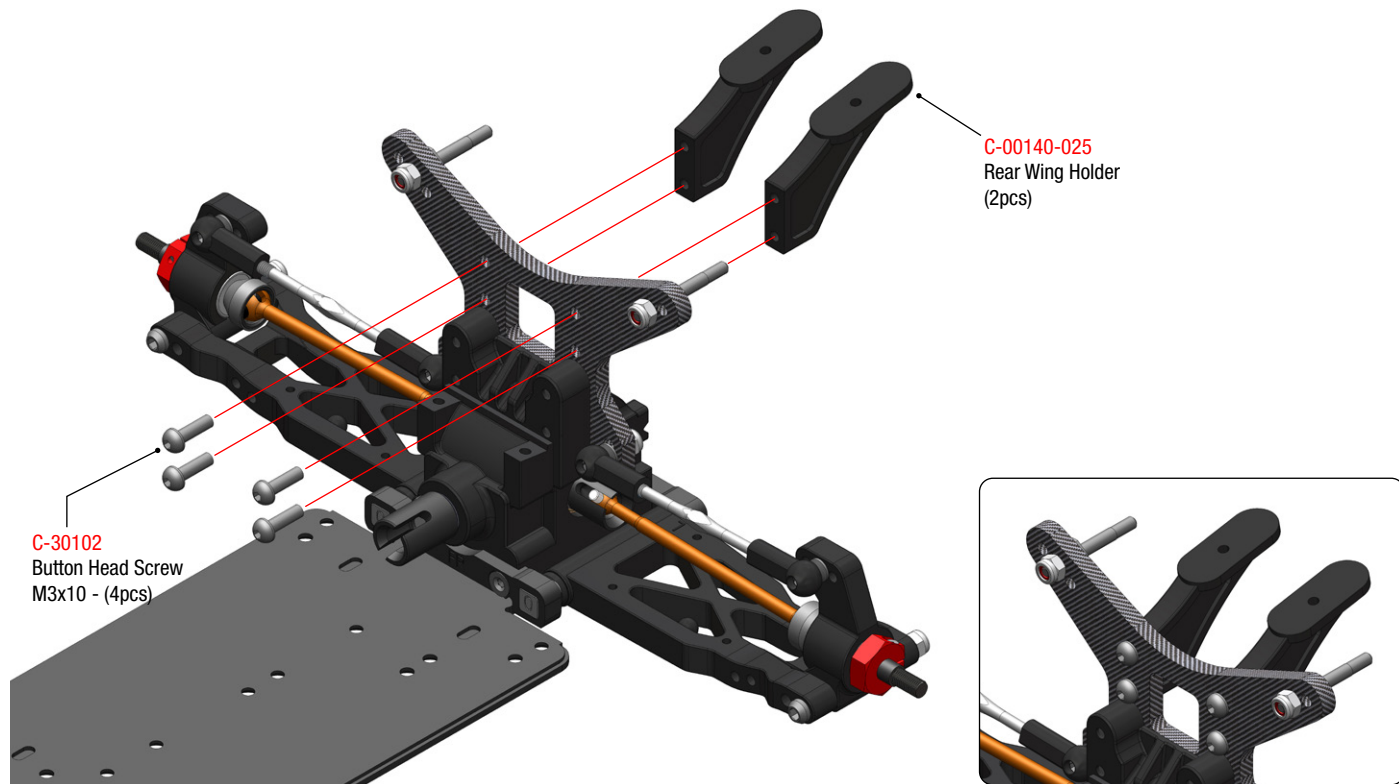
MONTAGE DES TRANSMISSIONS AV & AR • MONTAGE VAN DE VOORSTE EN ACHTERSTE TRANSMISSIES • MONTAGE DER VORNE & HINTEN GETRIEBE



17

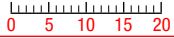
REAR WING SUPPORT ASSEMBLY

MONTAGE DU SUPPORT D'AILERON ARRIERE • ACHTERSTE VLEUGELSTEUN • HECKFLÜGELHALTERUNG



C-00140-025
Rear Wing Holder
(2pcs)

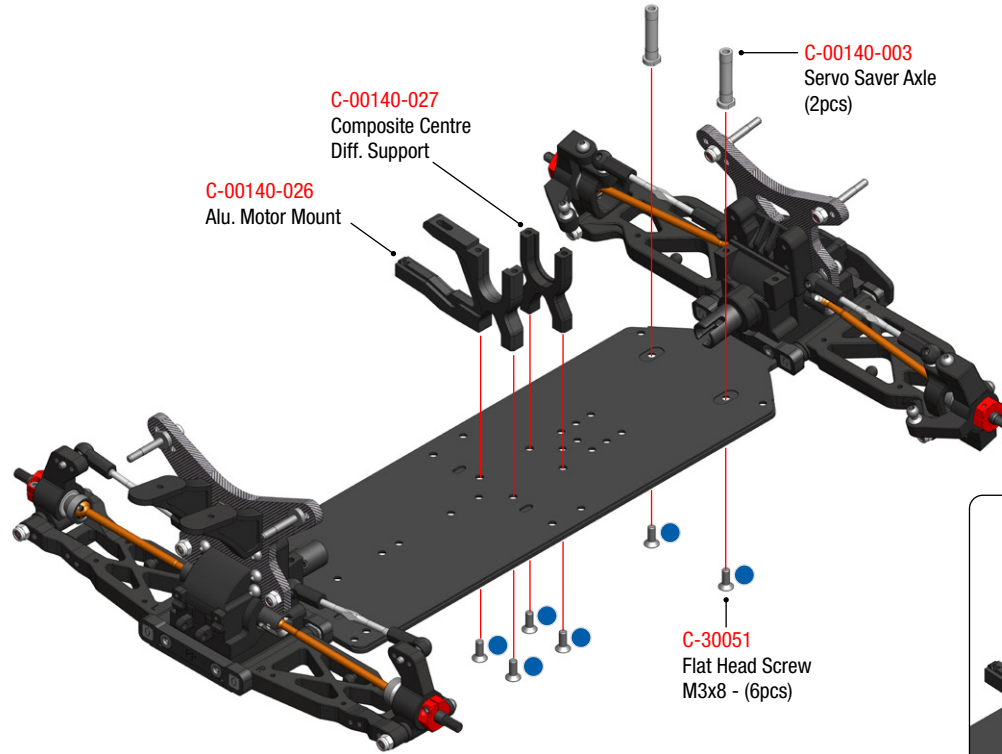
C-30102
Button Head Screw
M3x10 - (4pcs)



18

CENTER DIFF SUPPORT ASSEMBLY

SUPPORT DE DIFFÉRENTIEL CENTRAL • MIDDELSTE DIFF STEUN MONTAGE • MITTELDIFFSTÜTZE

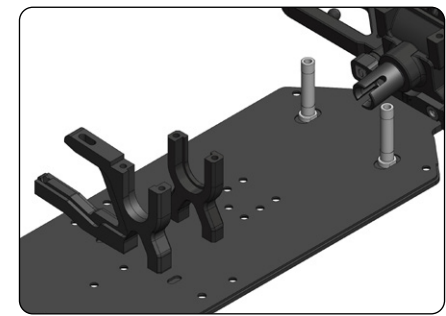


Apply CORALLY
LOCK-IT 100



OPTION PART

C-00140-150
Centre Diff. Support - **Aluminium**



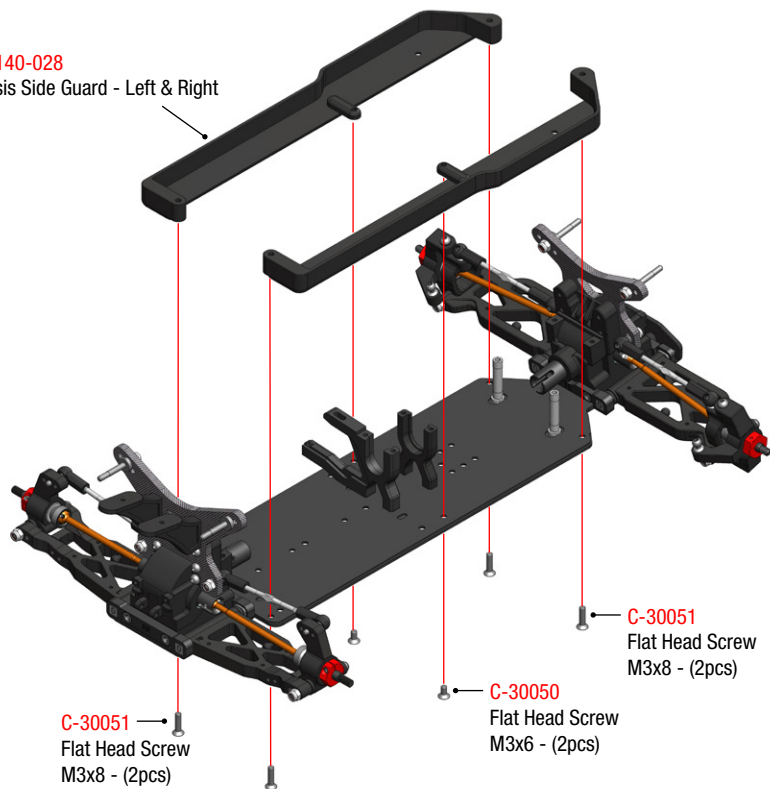
19

SIDE GUARDS INSTALLATION

INSTALLATION DES PROTECTIONS LATÉRALES • INSTALLATIE VAN ZIJHEKKEN • INSTALLATION DES SEITENSCHUTZES

C-00140-028

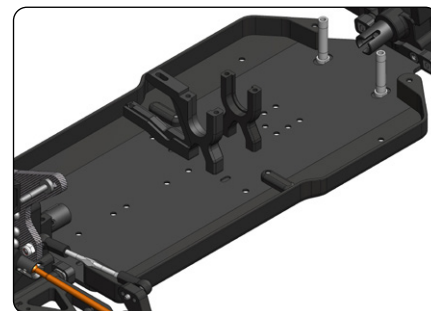
Chassis Side Guard - Left & Right



C-30051
Flat Head Screw
M3x8 - (2pcs)

C-30050
Flat Head Screw
M3x6 - (2pcs)

C-30051
Flat Head Screw
M3x8 - (2pcs)

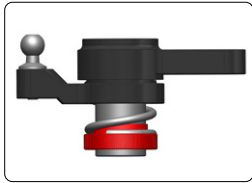




20

SERVO-SAVER ASSEMBLY

INSTALLATION DU SAUVE_SERVO • SERVO-SAVER-MONTAGE • SERVO-SAVER-MONTAGE



C-00140-016
Ball Stud 6mm

C-00140-007
Servo Saver Tube

C-00140-006
Servo Saver Part C

C-00140-005
Servo Saver Part B

C-00140-008
Servo Saver Spring

C-00140-009
Servo Saver Adjuster Ring

C-00140-012
Composite Steering Plate

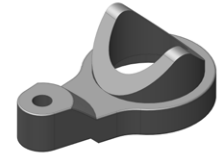
C-00140-016
Ball Stud 6mm
(2pcs)

C-00140-011
Steering Plate Bushing
(2pcs)

C-30102
Button Head Screw
M3x10 - (2pcs)

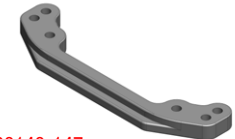
C-00140-004
Servo Saver Part A

OPTION PART

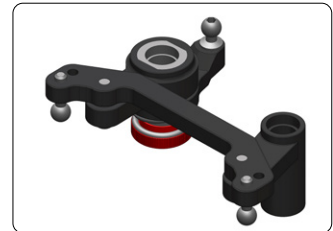


C-00140-149
Servo Saver Part B - **Aluminium**

OPTION PART



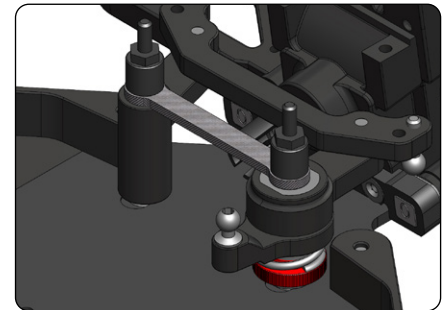
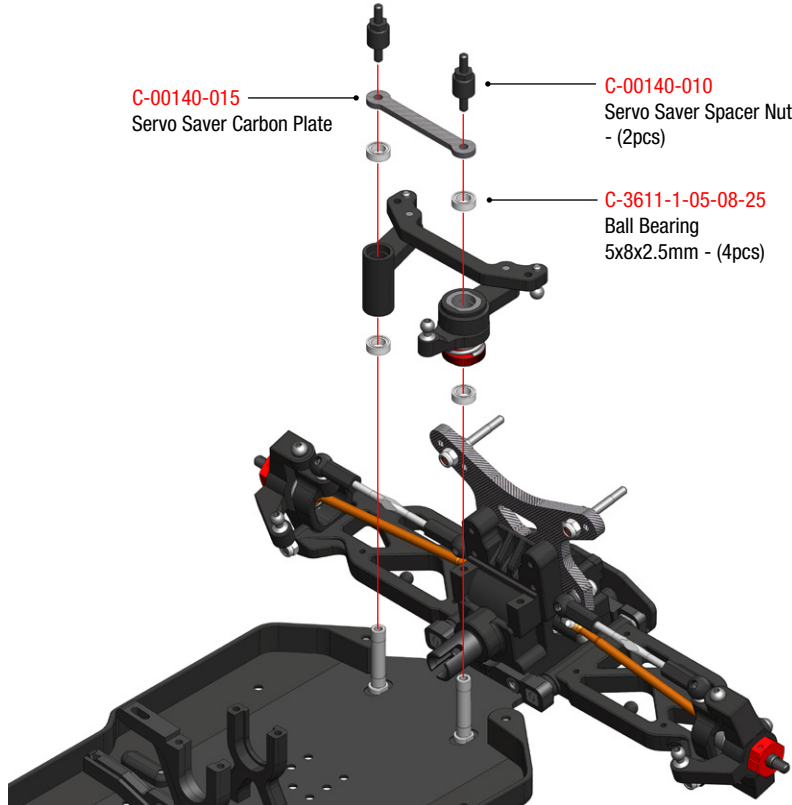
C-00140-147
Steering Plate - **Aluminium**

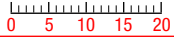


21

SERVO-SAVER ASSEMBLY

INSTALLATION DU SAUVE_SERVO • SERVO-SAVER-MONTAGE • SERVO-SAVER-MONTAGE





22

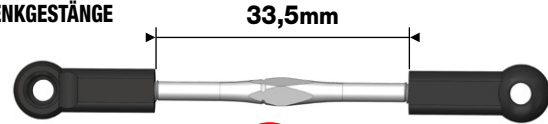
STEERING LINKS ASSEMBLY

MONTAGE DES TIRANTS DE DIRECTION • MONTAGE STUURSTANGEN • MONTAGE DER LENKGESTÄNGE

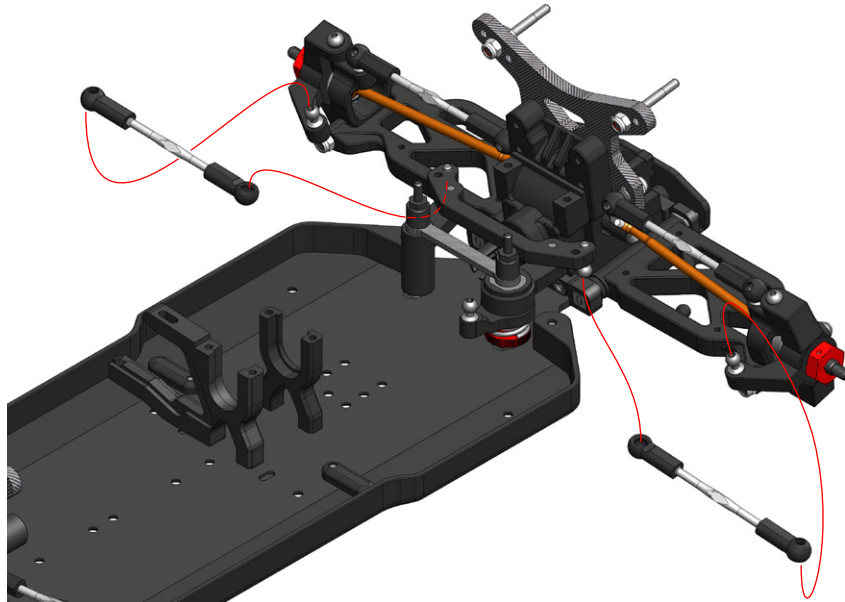


C-00140-056
Turnbuckle 54mm

C-00140-057
Ball Joint - (2pcs)



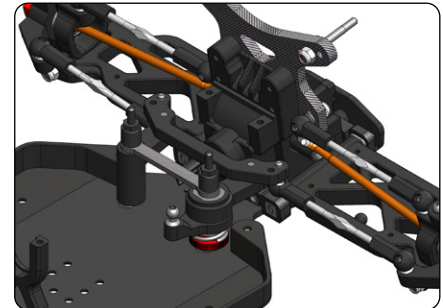
33,5mm
2x



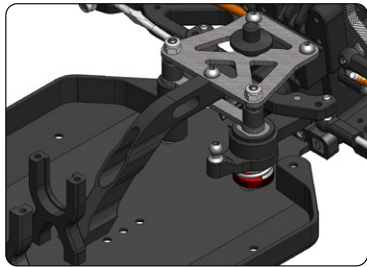
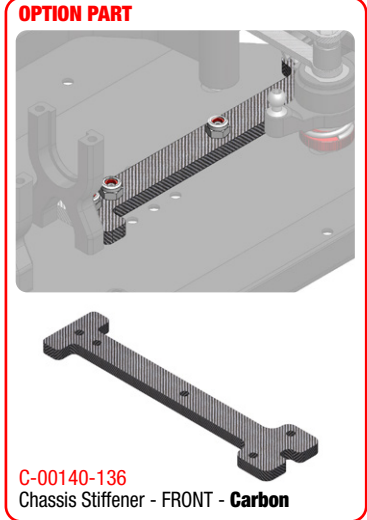
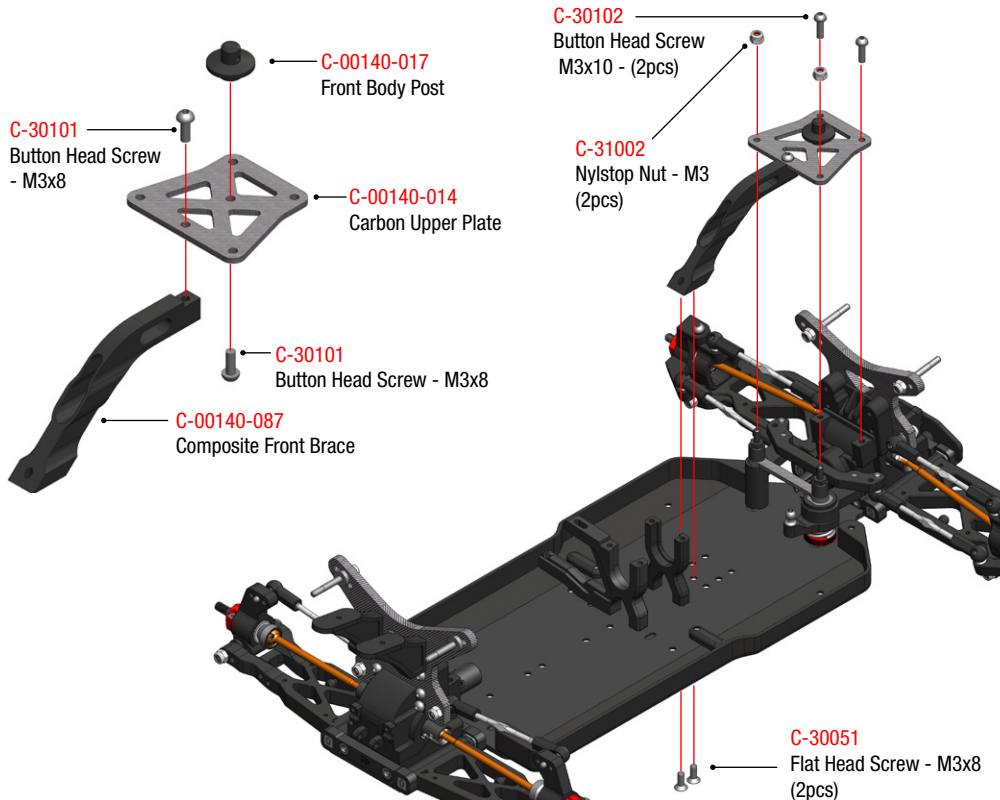
OPTION PART

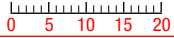


C-00140-146
Turnbuckle 54mm - **TITANE**



23 FRONT CHASSIS STIFFENER ASSEMBLY
INSTALLATION DU RAIDISSEUR AV • MONTAGE VAN DE VOORSTE CHASSISVERSTEVIGING • MONTAGE DER VORDEREN CHASSISVERSTEIFUNG

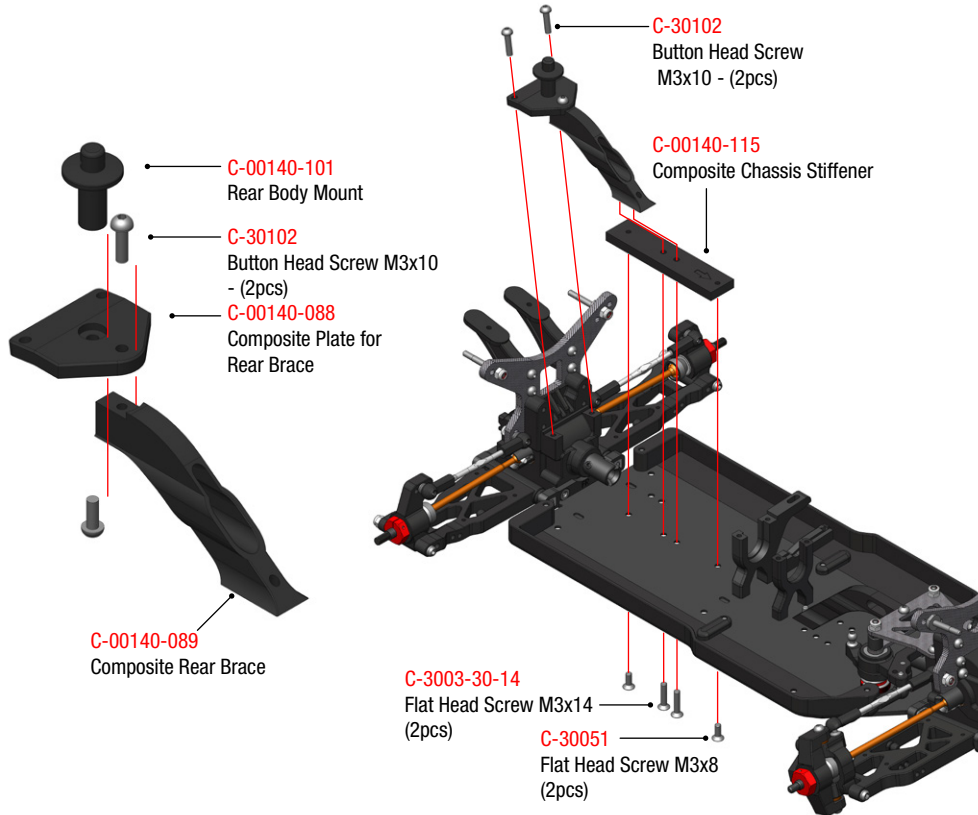




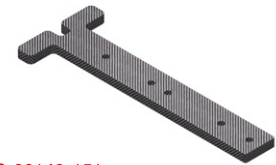
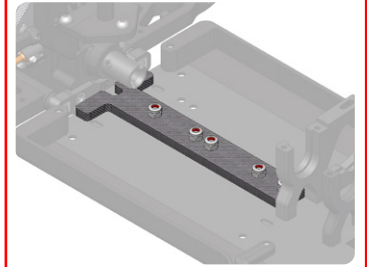
24

FRONT CHASSIS STIFFENER ASSEMBLY

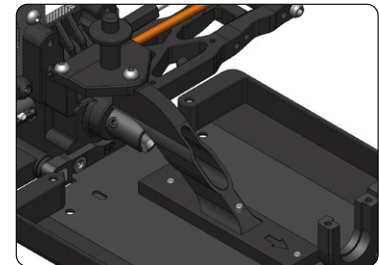
INSTALLATION DU RAIDISSEUR AV • MONTAGE VAN DE VORSTE CHASSISVERSTEVIING • MONTAGE DER VORDEREN CHASSISVERSTEIFUNG



OPTION PART



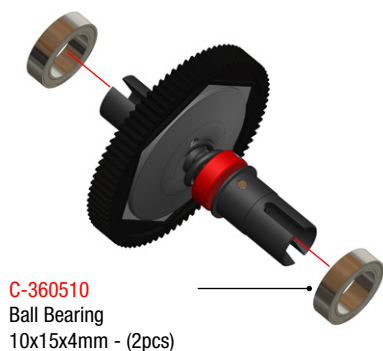
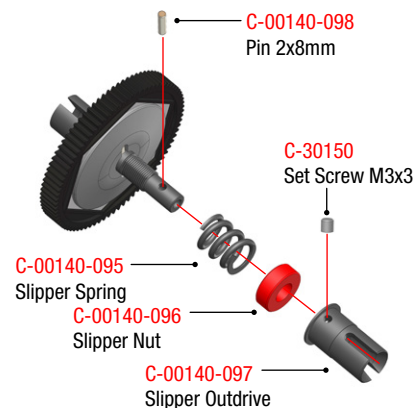
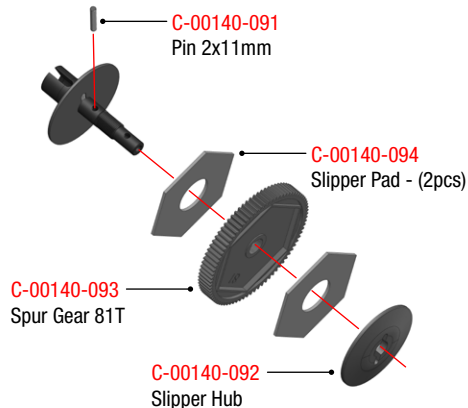
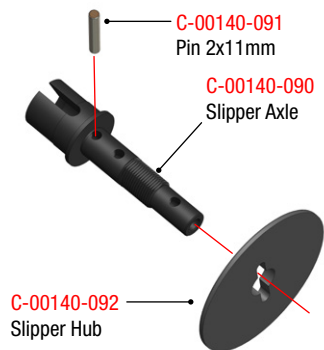
C-00140-151
Chassis Stiffener - REAR - Carbon



25

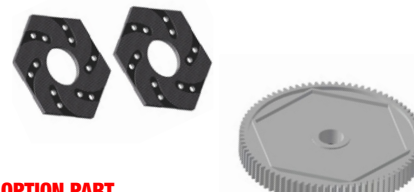
SLIPPER ASSEMBLY

INSTALLATION DU SLIPPER • MONTAGE VAN DE SLIPPER • SLIPPER-INSTALLATION



OPTION PART

C-00140-135 Slipper Pad - **Carbon**



OPTION PART

C-00140-137-78 Spur Gear 48DP - 78 Teeth - Delrin

C-00140-137-81 Spur Gear 48DP - 81 Teeth - Delrin

C-00140-137-84 Spur Gear 48DP - 84 Teeth - Delrin

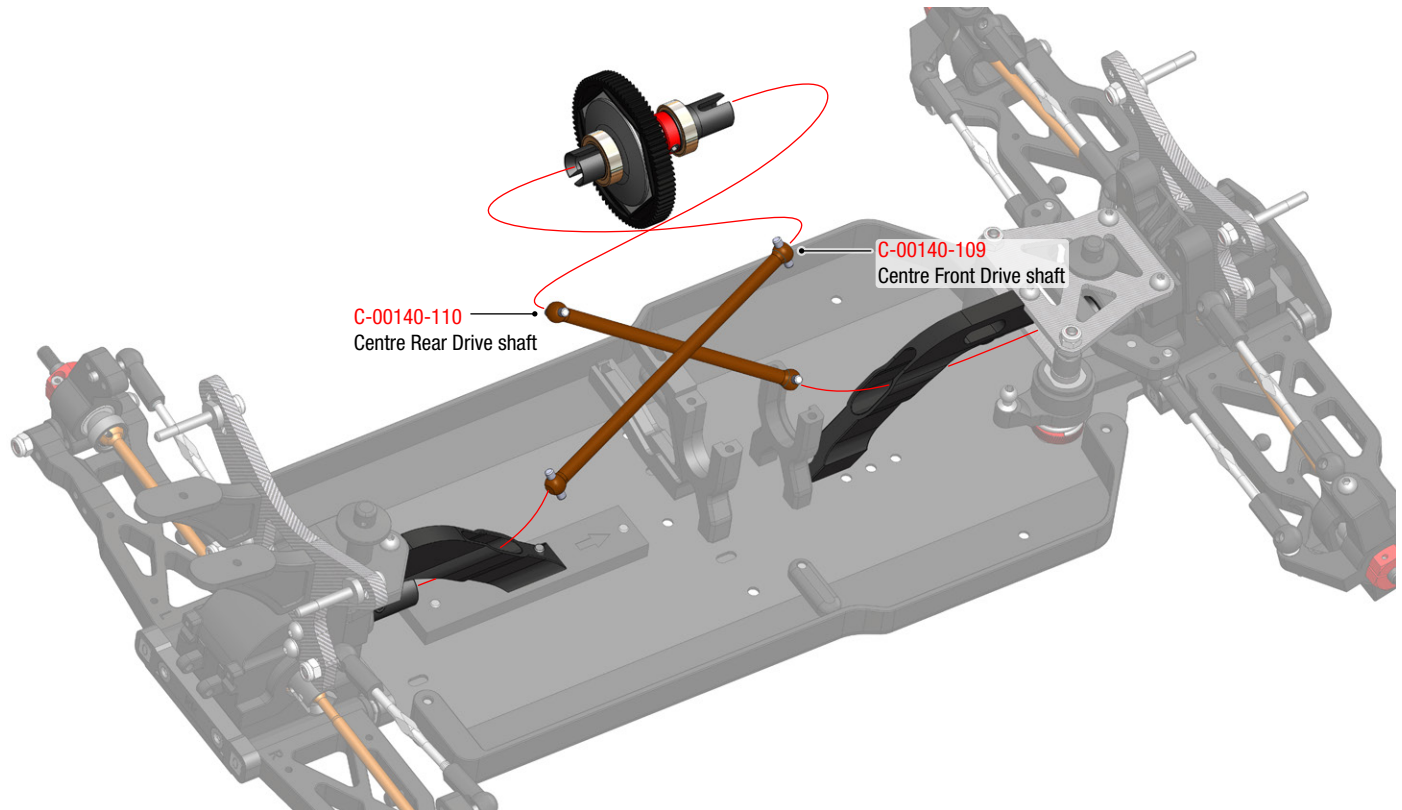




26

SLIPPER ASSEMBLY

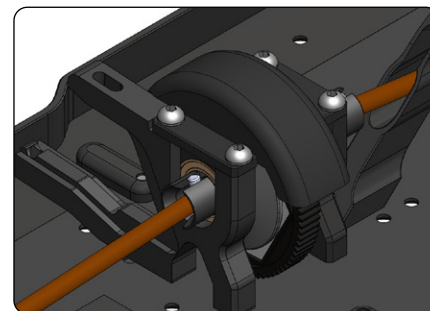
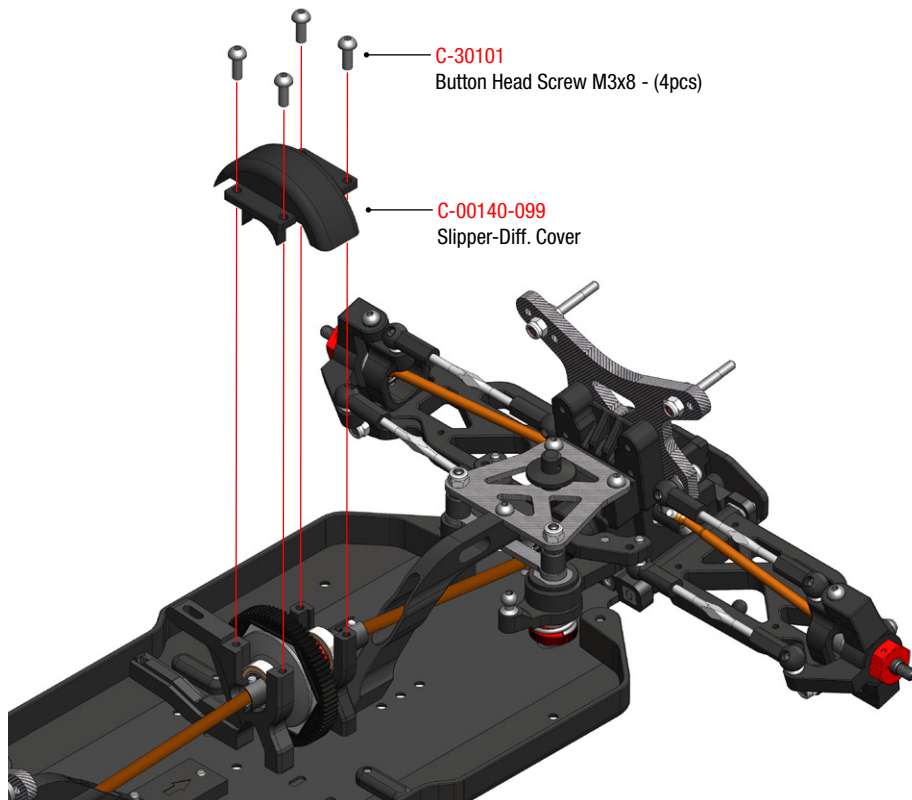
INSTALLATION DU SLIPPER • MONTAGE VAN DE SLIPPER • SLIPPER-INSTALLATION



27

SLIPPER ASSEMBLY

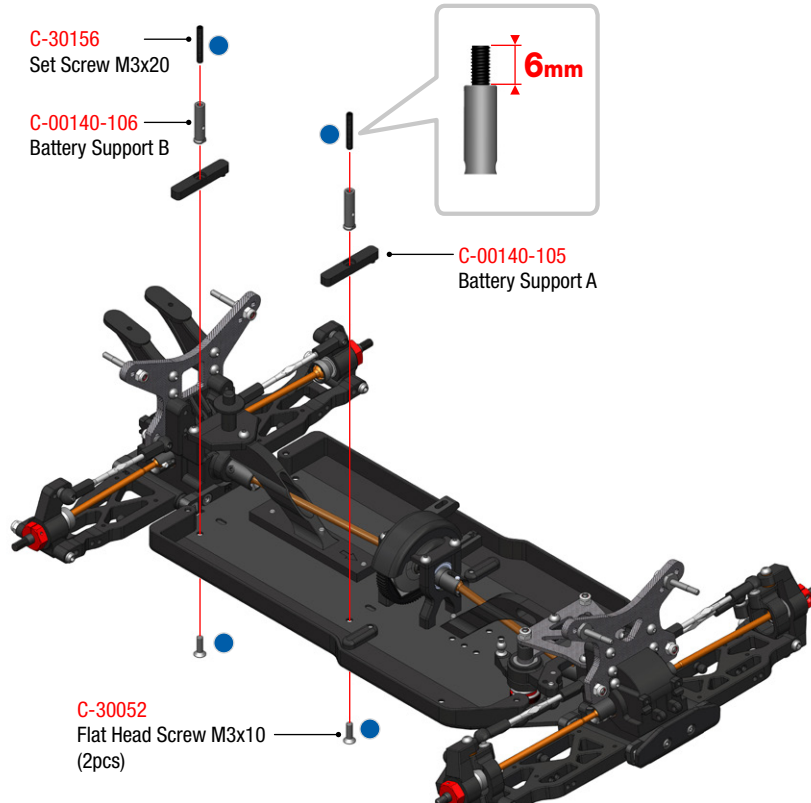
INSTALLATION DU SLIPPER • MONTAGE VAN DE SLIPPER • SLIPPER-INSTALLATION



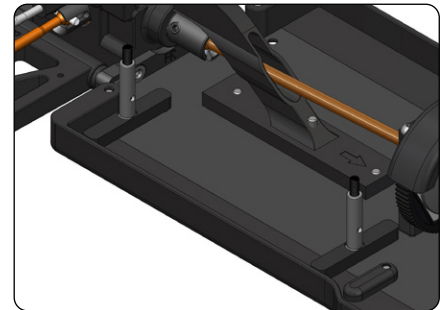


28 BATTERY POST ASSEMBLY

SUPPORT DE BATTERIE • BATTERIJHOUDER • BATTERIEHALTERUNG



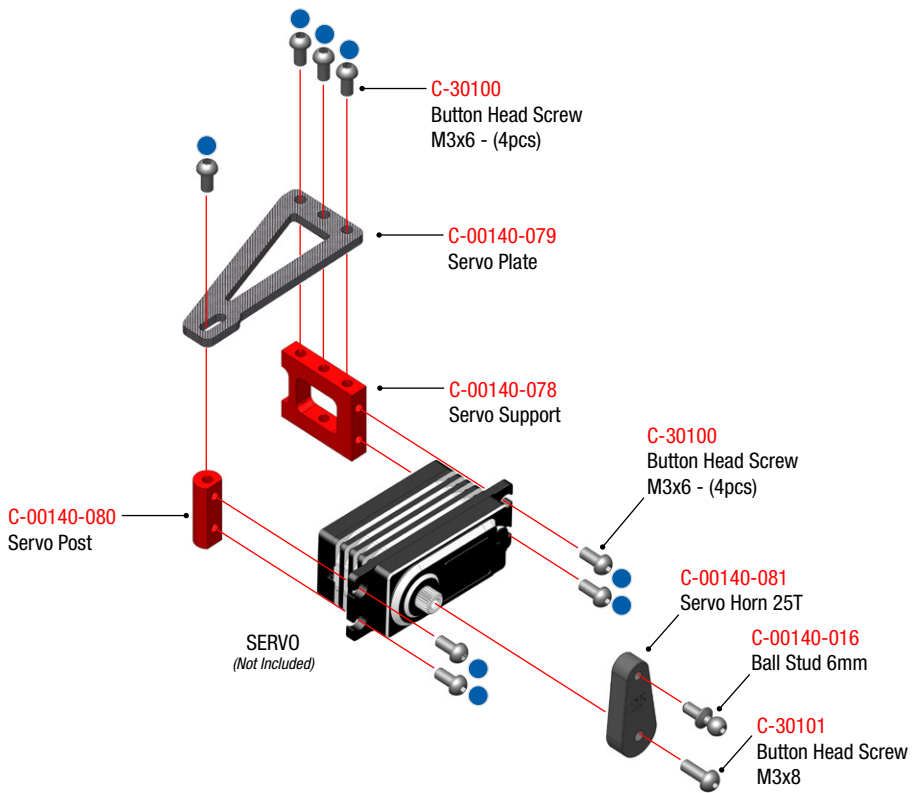
Apply CORALLY
LOCK-IT 100



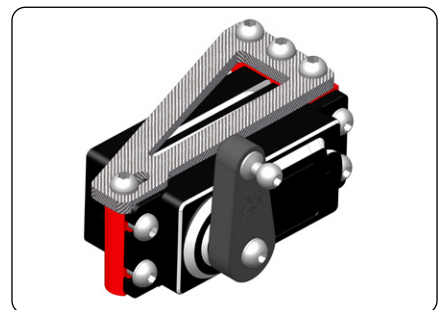
28

STEERING SERVO ASSEMBLY

ASSEMBLAGE DU SERVO DE DIRECTION • STUURSERVO INSTELLING • LENKSERVOMONTAGE



Apply CORALLY
LOCK-IT 100

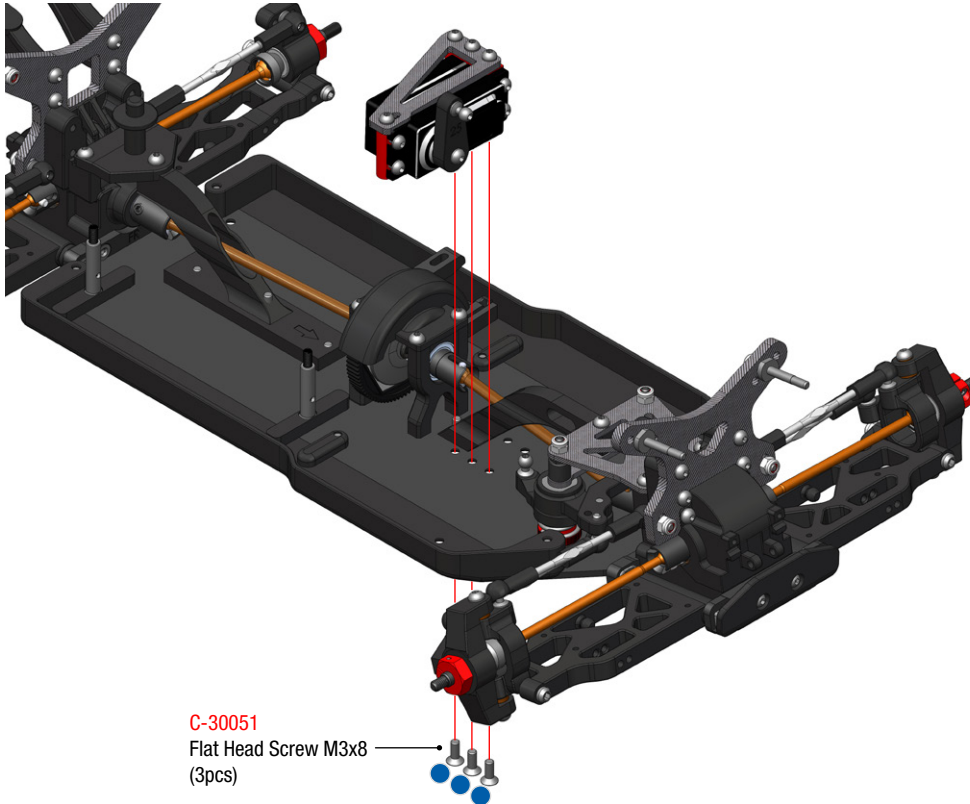




29

STEERING SERVO ASSEMBLY

ASSEMBLAGE DU SERVO DE DIRECTION • STUURSERVO INSTELLING • LENKSERVOMONTAGE

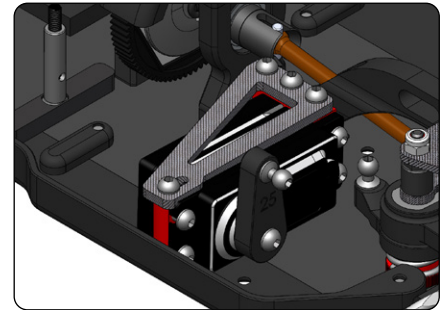


C-30051

Flat Head Screw M3x8
(3pcs)



Apply CORALLY
LOCK-IT 100



30

FRONT STABILIZER BAR ASSEMBLY

ASSEMBLAGE DE LA BARRE STABILISATRICE AVANT • VOORSTE STABILISATORSTANG MONTAGE • STABILISATOR VORNE MONTIERT

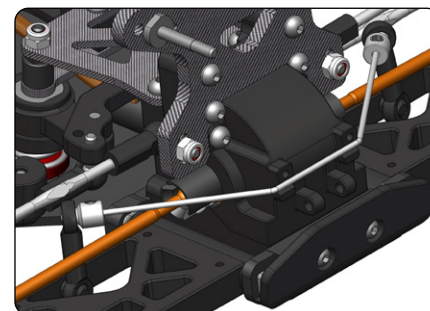
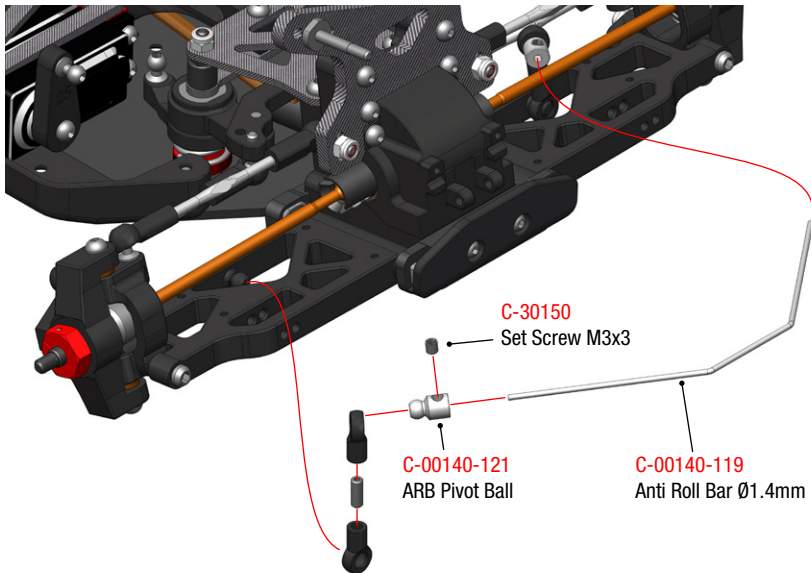
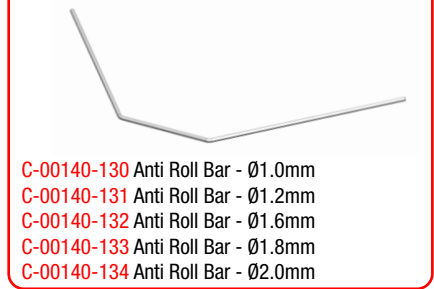


C-30152
Set Screw M3x8

C-00140-120
Ball Joint for ARB - (2pcs)

2x

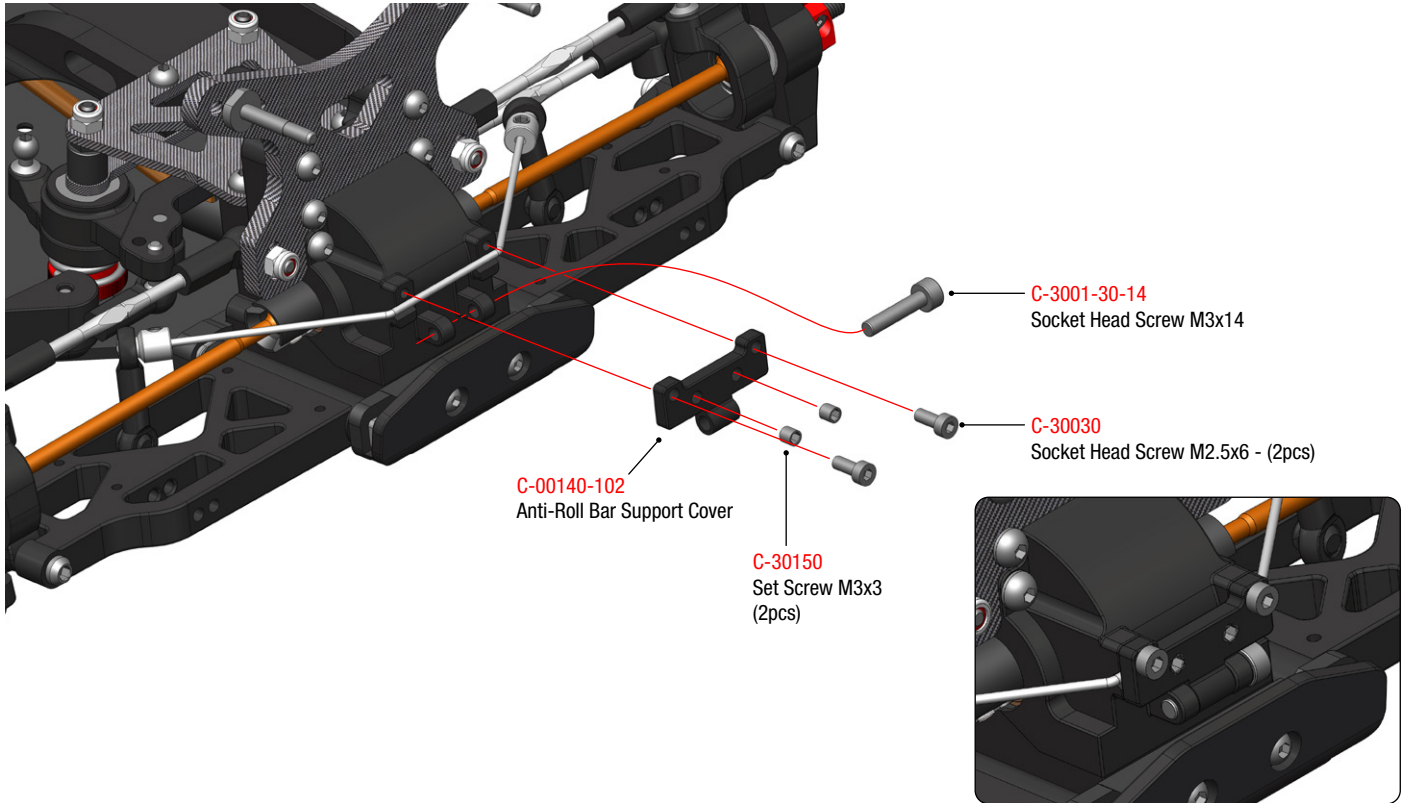
OPTIONAL PARTS



31

FRONT STABILIZER BAR ASSEMBLY

ASSEMBLAGE DE LA BARRE STABILISATRICE AVANT • VOORSTE STABILISATORSTANG MONTAGE • STABILISATOR VORNE MONTIERT



32

REAR STABILIZER BAR ASSEMBLY

ASSEMBLAGE DE LA BARRE STABILISATRICE ARIERE • ACHTERSTE STABILISATORSTANG MONTAGE • STABILISATOR HINTERE MONTIERT



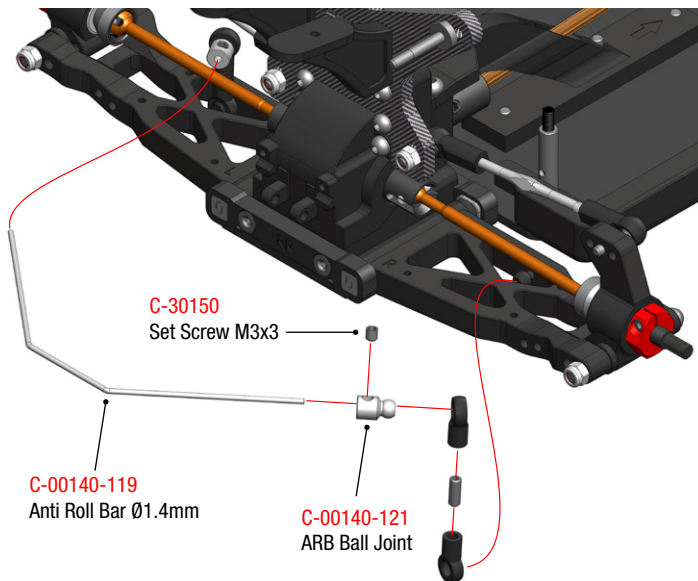
C-30152
Set Screw M3x8

C-00140-120
Ball Joint for ARB - (2pcs)

OPTIONAL PARTS



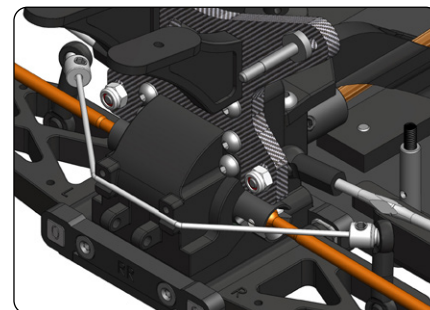
- C-00140-130 Anti Roll Bar - Ø1.0mm
- C-00140-131 Anti Roll Bar - Ø1.2mm
- C-00140-132 Anti Roll Bar - Ø1.6mm
- C-00140-133 Anti Roll Bar - Ø1.8mm
- C-00140-134 Anti Roll Bar - Ø2.0mm



C-30150
Set Screw M3x3

C-00140-119
Anti Roll Bar Ø1.4mm

C-00140-121
ARB Ball Joint

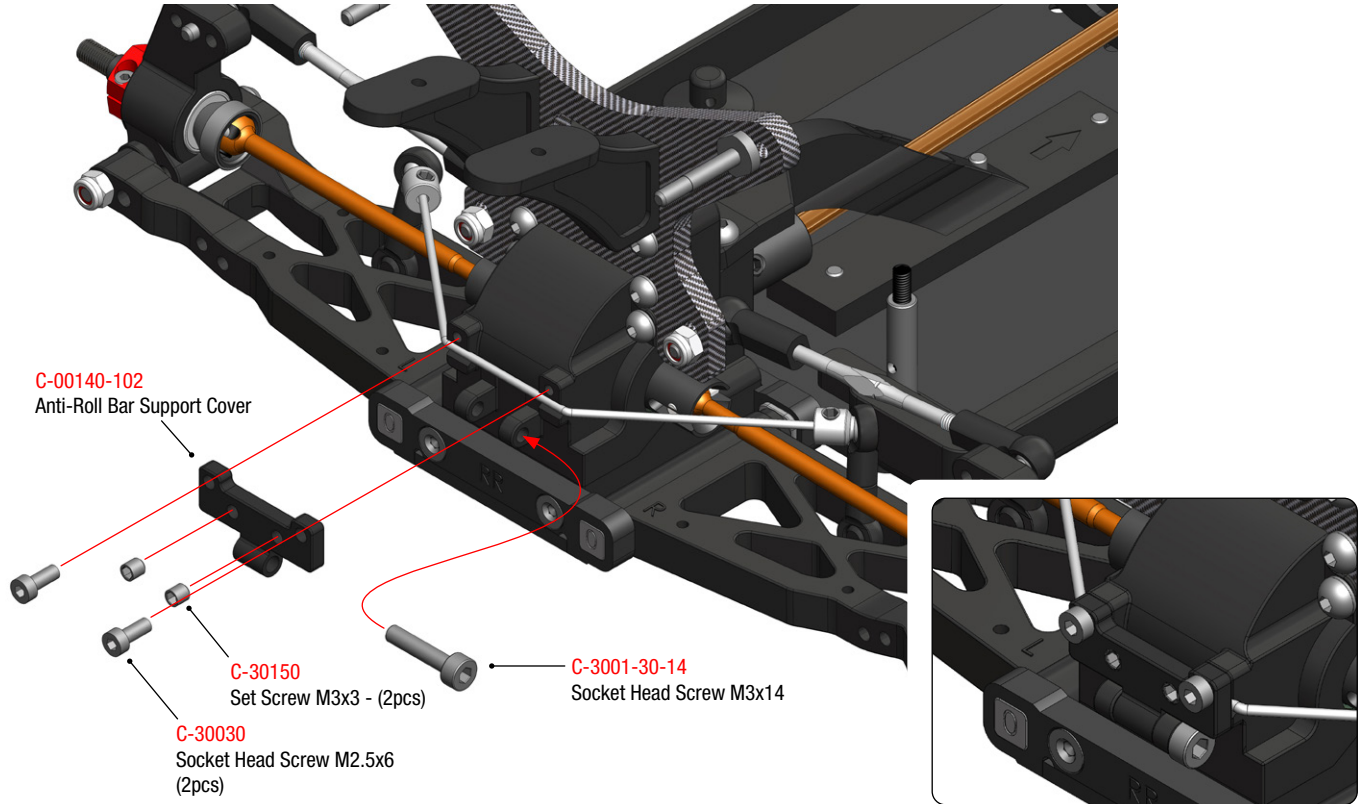


0 5 10 15 20

33

REAR STABILIZER BAR ASSEMBLY

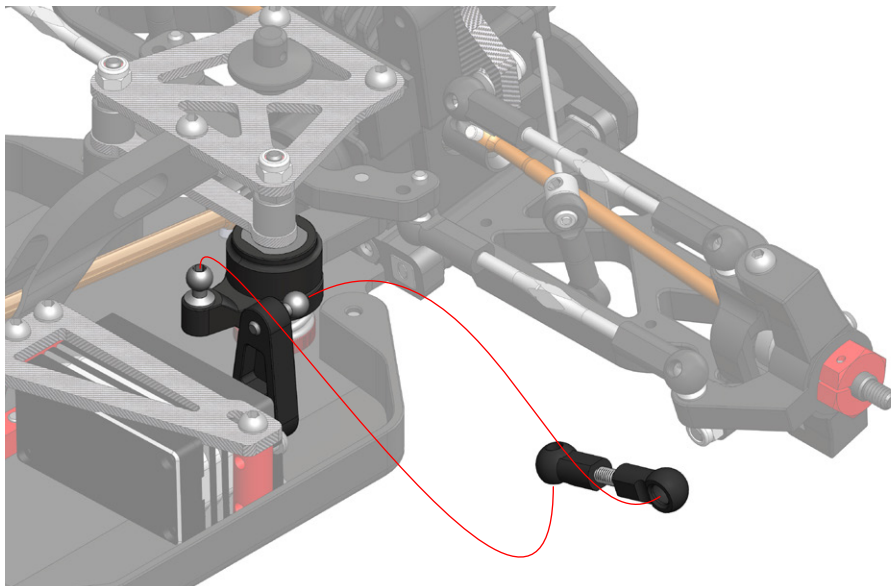
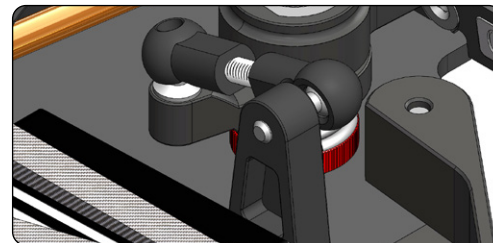
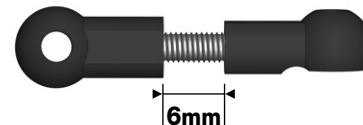
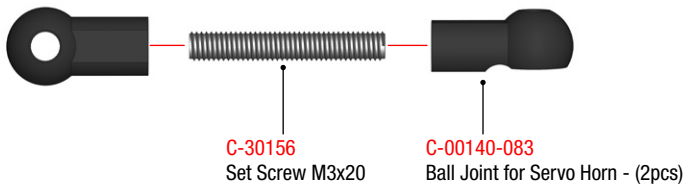
ASSEMBLAGE DE LA BARRE STABILISATRICE ARIERE • ACHTERSTE STABILISATORSTANG MONTAGE • STABILISATOR HINTERE MONTIERT



34

REAR STABILIZER BAR ASSEMBLY

ASSEMBLAGE DE LA BIELLETTE DE DIRECTION • STUURSTANGASSEMBLAGE • LENKGESTÄNGE



C-16300

- Install the pivot ball using the Corally Professional Pliers
- Installez la boule de pivot à l'aide de la pince Corally.
- Monteer de draaikogel met de Corally-tang.
- Montieren Sie die Gelenkkugel mit der Corally-Zange



35

REAR STABILIZER BAR ASSEMBLY

ASSEMBLAGE DE L'AMORTISSEUR • SCHOKDEMPEMONTAGE • STOSSDÄMPFER

C-00140-065
Alu.Shock Cap Nut

C-3001-20-05
Socket Head
Screw M2x5

C-00140-072
Shock Piston
2x1,7mm

C-32151-T
Circlips
Ø2.3mm

C-00140-068
Shock Shaft - Front
C-00140-073
Shock Shaft - Rear

C-00140-060
O-Ring 14mm

C-00140-066
Shock Body - Front
C-00140-058
Shock Body - Rear

C-00140-148
O-Ring 8x1 mm

C-00140-062
Shock Insert A

C-00140-064
Shock Insert B

C-00140-063
O-Ring Ø2.9x6.5mm

C-00140-061
Alu. Body Nut for
Shock Boot

C-00140-060
O-Ring 14mm

C-00140-059
Alu. Spring
Adjuster Ring

C-00140-075
Shock Spring - Front

C-00140-074
Shock Spring - Rear

C-00140-071
Shock Spring Holder

C-00140-069
Composite Shock ball Joint

C-00140-070
Ball Ø6mm

OPTION PART

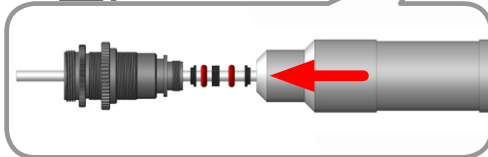
- C-00140-138 Rear Shock Spring - **SOFT**
- C-00140-139 Rear Shock Spring - **HARD**
- C-00140-140 Front Shock Spring - **SOFT**
- C-00140-141 Front Shock Spring - **HARD**

OPTION PART

- C-00140-142 Front Shock Shaft - **TINI**
- C-00140-143 Rear Shock Shaft - **TINI**



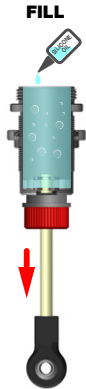
Use CORALLY
SILICONE OIL



- Place all parts on a screwdriver (Ø3mm) and push them into the shock body.
- Placez toutes les pièces sur un tournevis (Ø3mm) et poussez-les dans le corps de l'amortisseur.
- Plaats alle onderdelen op een schroevendraaier (Ø3mm) en duw ze in de schokdemper.
- Setzen Sie alle Teile auf einen Schraubendreher (Ø3mm) und drücken Sie sie in den Dämpferkörper.

SHOCK ABSORBER FILLING

REPLISSAGE DE L'AMORTISSEUR • SCHOKDEMPELVULLING • STOSSDÄMPFERFÜLLUNG

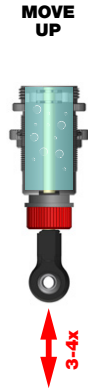


- Fill the shock with silicone oil.

• Remplissez l'amortisseur avec de l'huile de silicone.

- Füllen Sie den Dämpfer mit Silikonöl.

- Vul de schokdemper met siliconenolie.

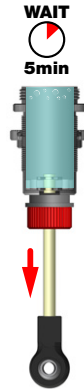


- Move the piston up&down (3-4x) to release the air bubbles in the silicone oil.

• Déplacez le piston de haut en bas (3-4x) pour libérer les bulles d'air.

- Bewegen Sie den Kolben nach oben&unten (3-4x), um die Luftblasen abzulassen.

- Beweeg de zuiger op en neer (3-4x) om de luchtbel-len te laten ontsnappen.

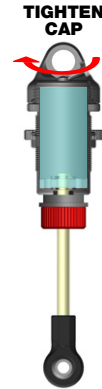


- Pull the shock shaft down and wait until the bubbles rise to the surface.

• Tirez la tige d'amortisseur vers le bas et attendez que les bulles remontent à la surface.

- Ziehen Sie die Schockwelle nach unten und warten Sie, bis die Blasen an die Oberfläche steigen.

- Trek de Schokas naar beneden en wacht tot de luchtbel-len naar de opper-vlakte stijgen.

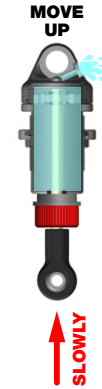


- Screw in the shock absorber cap at 50%.

• Vissez le bouchon d'amortisseur à 50%

- Schrauben Sie die Stoßdämpferkappe zu 50 % ein.

- Schroef de dop van de schokdemper op 50%.

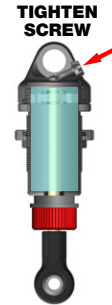


- Gently move the piston in upper position, the oil excess will flow out.

• Déplacez doucement le piston en position haute, l'excédent d'huile s'écoulera.

- Bewegen Sie den Kolben vorsichtig in die obere Position, das überschüssige Öl fließt dann heraus.

- Beweeg de piston langzaam in de bovenste positie, de overtollige olie zal eruit stromen.



- Now tighten the cap fully but not too much otherwise the membrane will be deformed.

• Maintenant, serrez le bouchon à fond, mais pas trop, sinon la membrane sera déformée.

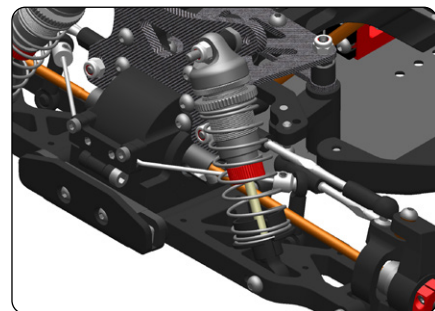
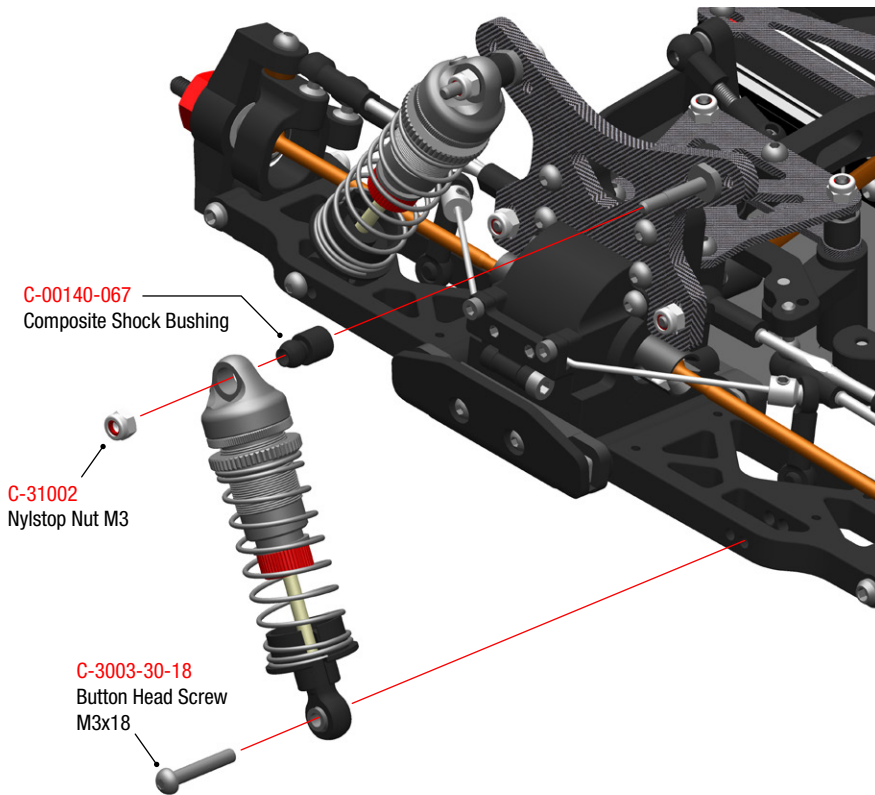
- Ziehen Sie nun die Kappe vollständig, aber nicht zu fest an, da sonst die Membran verformt wird.

- Draai nu de dop helemaal vast, maar niet te vast, anders wordt het membraan vervormd.

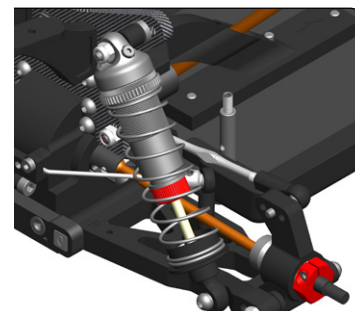
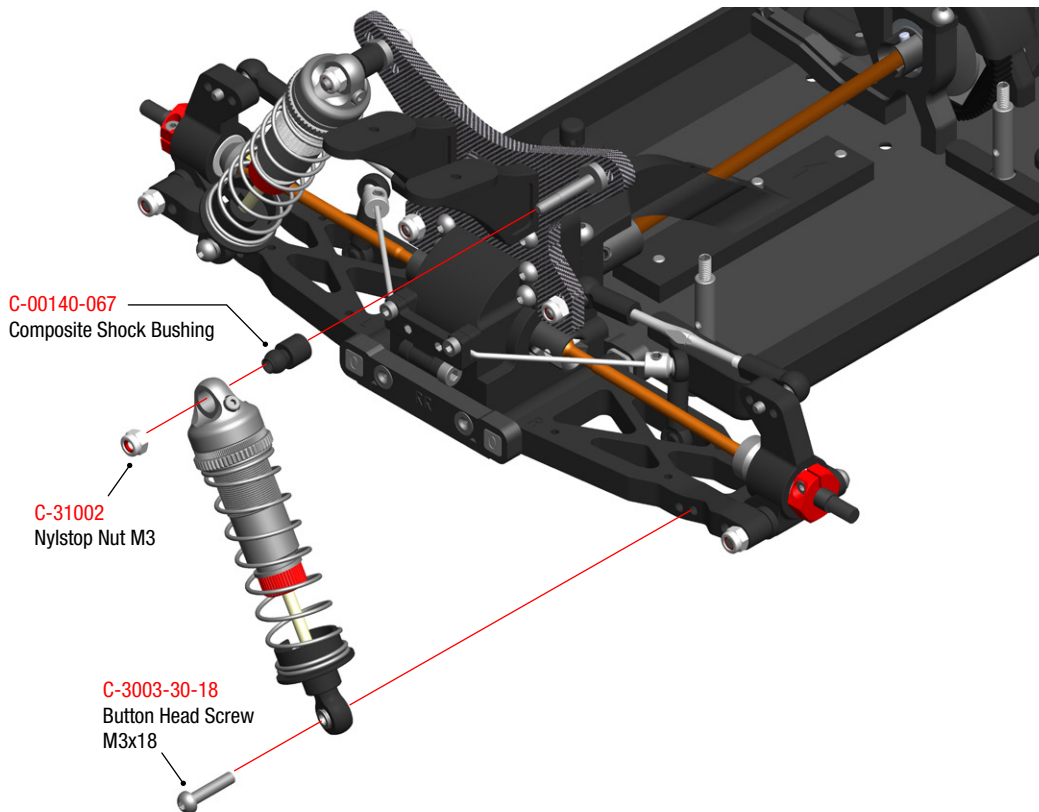


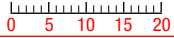
0 5 10 15 20

36 FRONT SHOCK ABSORBER INSTALLATION - L & R INSTALLATION DE L'AMORTISSEUR AVANT - G ET D • MONTAGE VOORSTE SCHOKDEMPER - L & R • EINBAU DER VORDEREN STOSSDÄMPFER - L & R



37 **REAR SHOCK ABSORBER INSTALLATION - L & R**
INSTALLATION DE L'AMORTISSEUR ARRIERE - G ET D • MONTAGE ACHTERSTE SCHOKDEMPER - L & R • EINBAU DES HINTEREN STOSSDÄMPFER - L & R

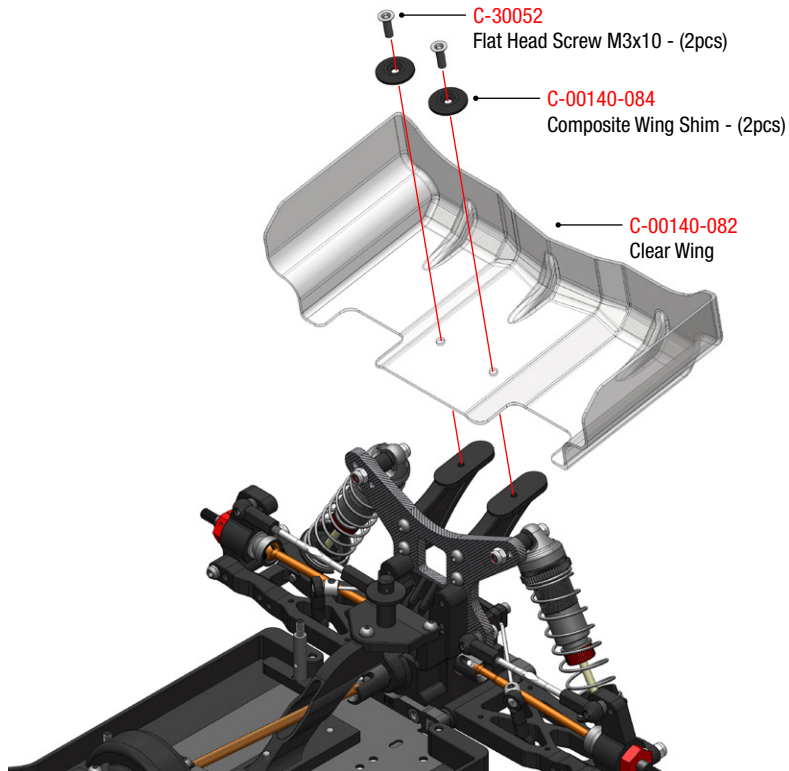




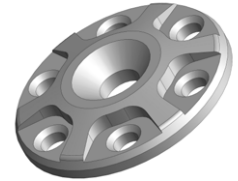
38

REAR WING INSTALLATION

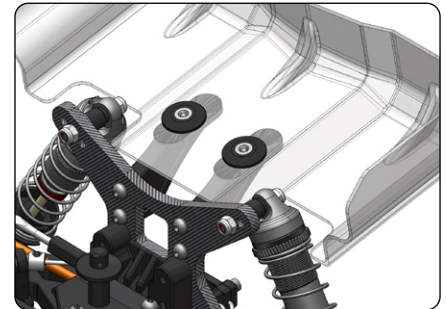
INSTALLATION DE L'AILERON ARRIÈRE • MONTAGE VAN DE REAR WING - L & R • EINBAU REAR WING



OPTION PART



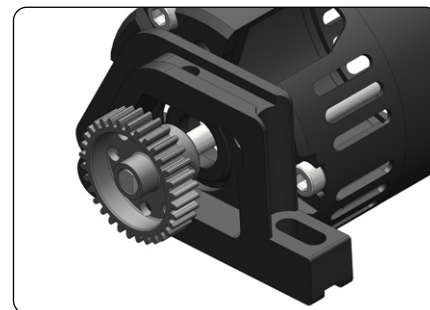
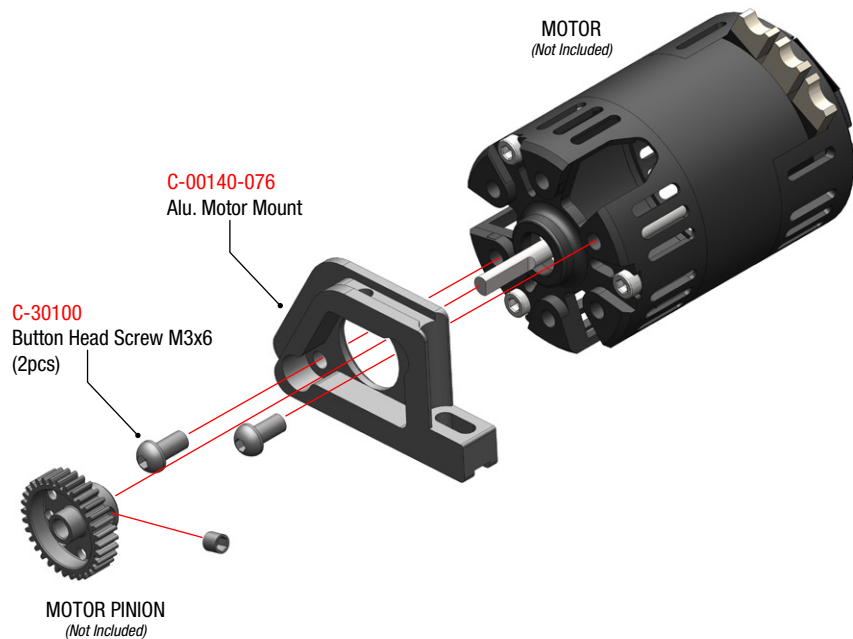
C-00140-122
Wing Shim - **Aluminium**



39

MOTOR INSTALLATION

INSTALLATION DU MOTEUR • MOTORINSTALLATIE • MOTORINSTALLATION

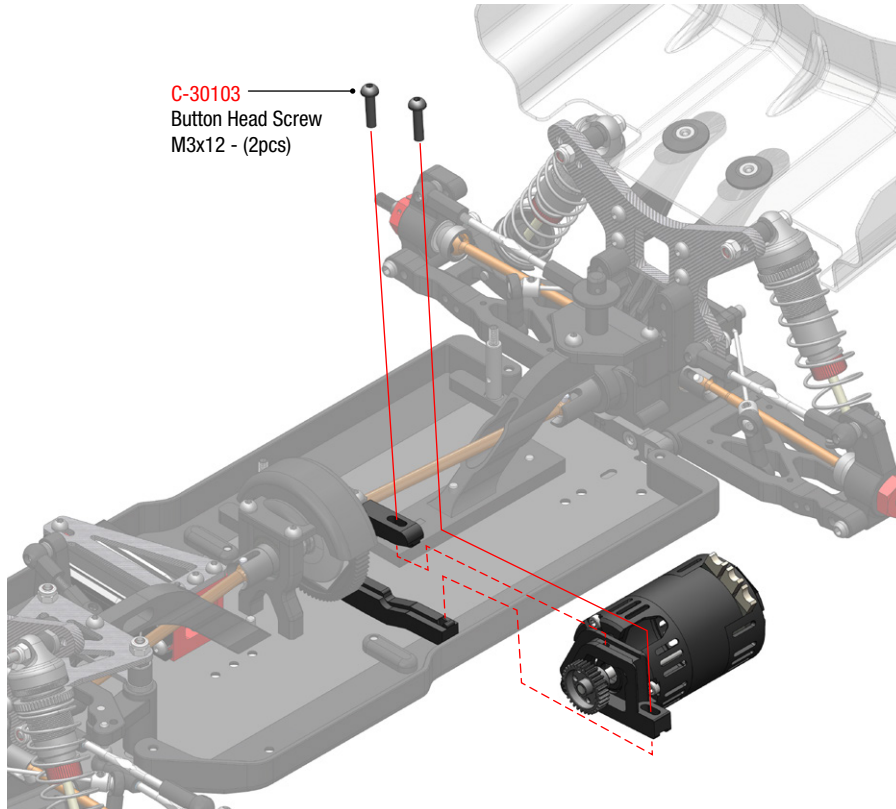




40

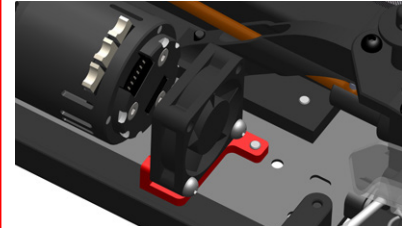
MOTOR INSTALLATION

INSTALLATION DU MOTEUR • MOTORINSTALLATIE • MOTORINSTALLATION



C-30103
Button Head Screw
M3x12 - (2pcs)

OPTION PART



C-00140-144
Fan Mount - **Aluminium**

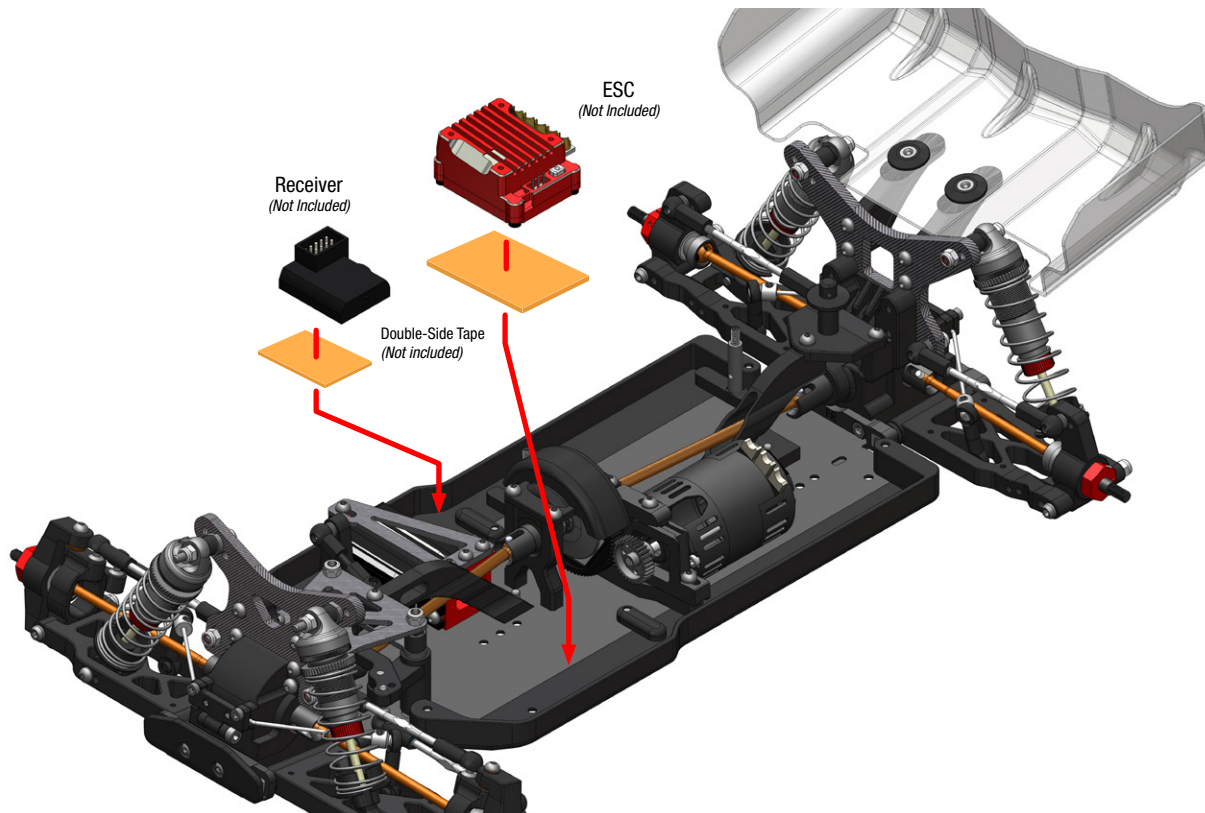


C-53102
ESC Ultra High Speed Cooling Fan 30mm -
6v-8,4V - Dual ball bearings - BEC connector

41

ELECTRONICS CONFIGURATION

CONFIGURATION DE L'ÉLECTRONIQUE • CONFIGURATIE VAN DE ELEKTRONICA • ELEKTRONIK-KONFIGURATION



42

BATTERY INSTALLATION

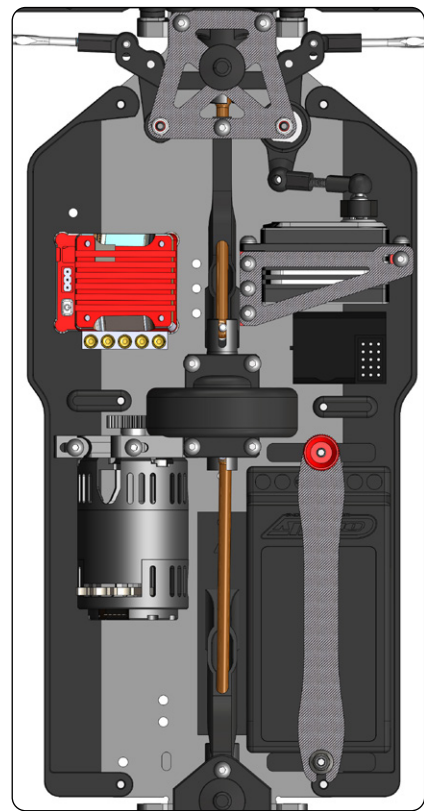
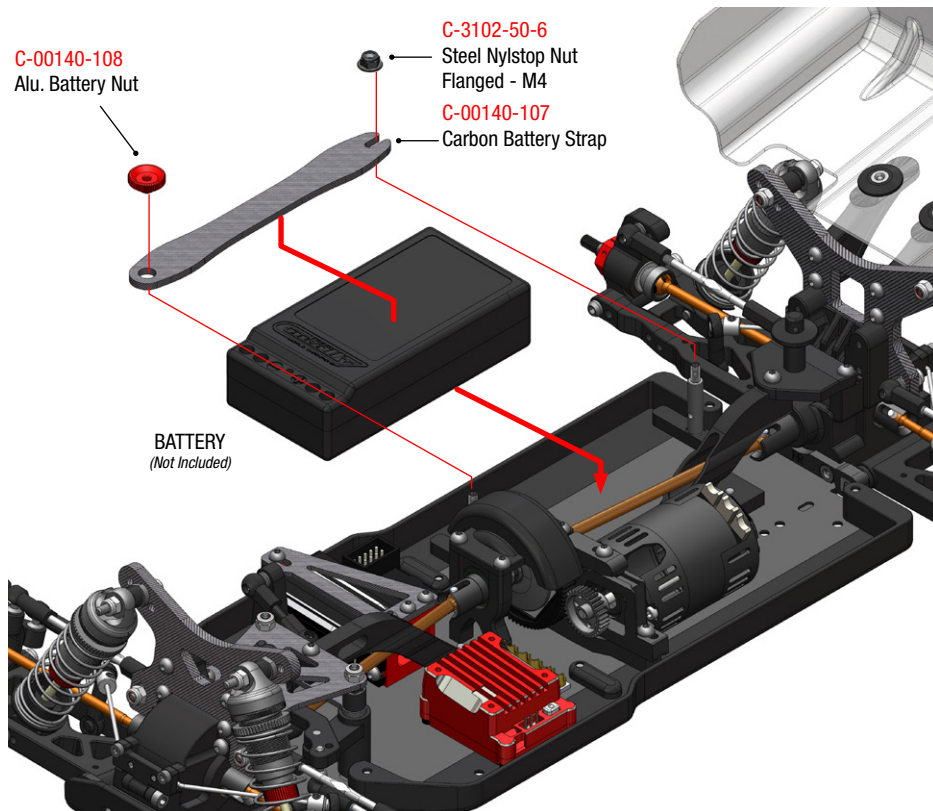
INSTALLATION DE LA BATTERIE • BATTERIJ INSTALLATIE • BATTERIEANLAGE

C-00140-108
Alu. Battery Nut

C-3102-50-6
Steel Nylstop Nut
Flanged - M4

C-00140-107
Carbon Battery Strap

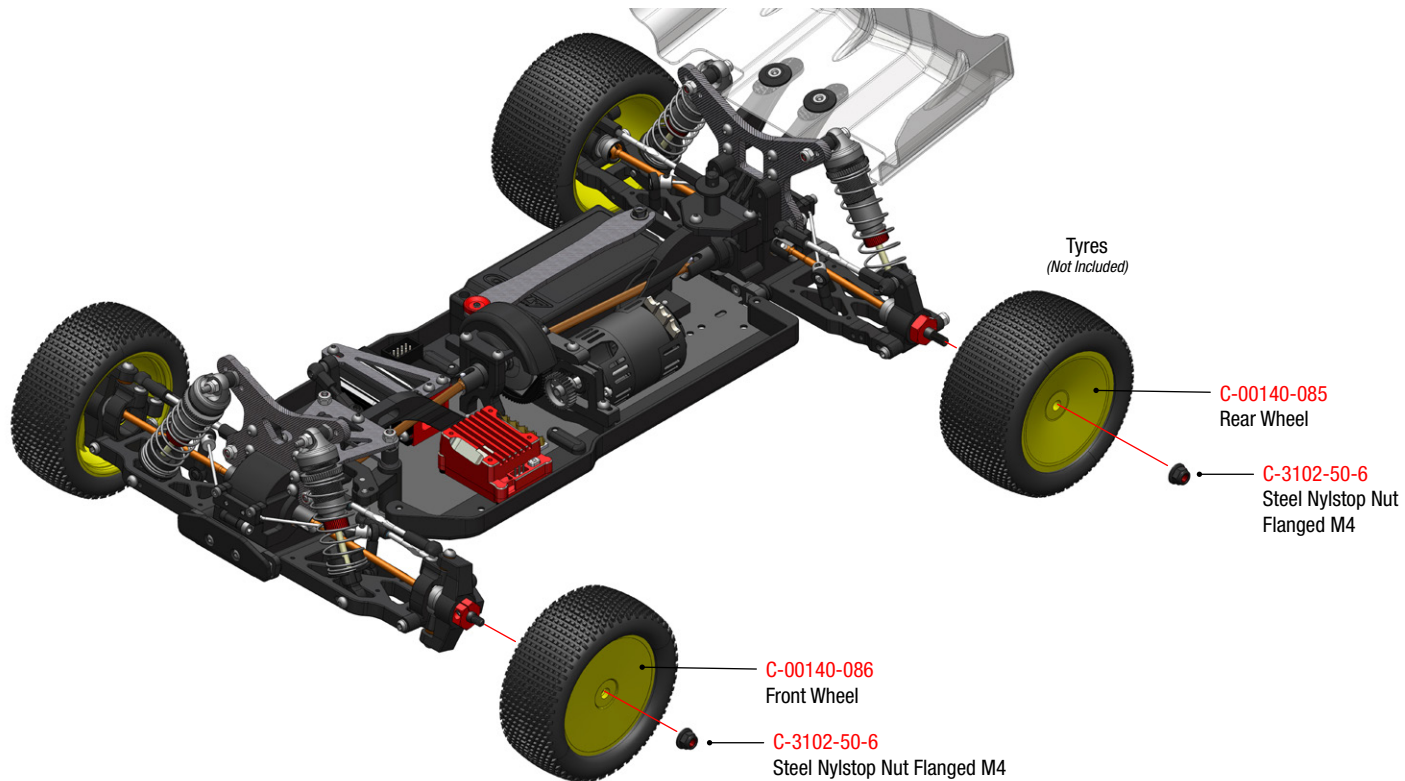
BATTERY
(Not Included)



43

WHEELS INSTALLATION

INSTALLATION DES ROUES • MONTAGE VAN DE WIELEN • MONTAGE DER RÄDER

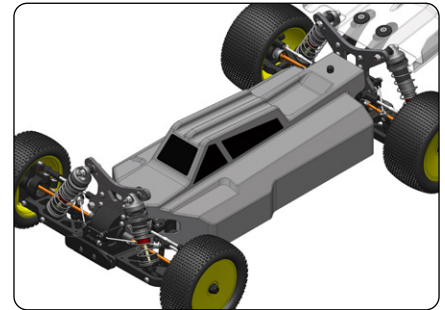
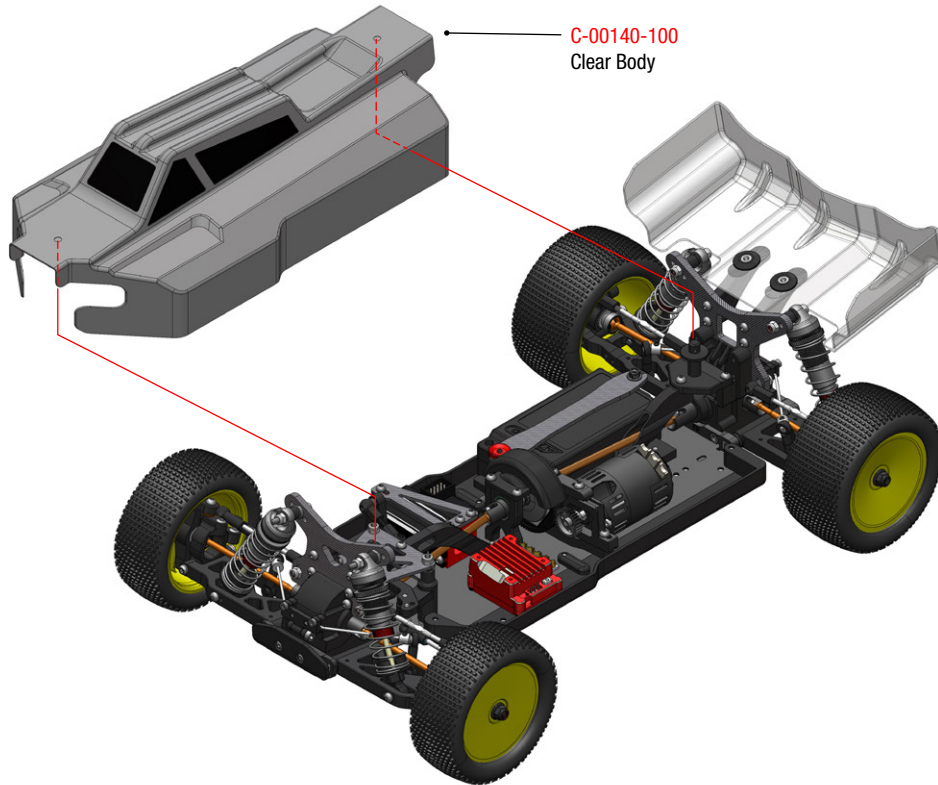


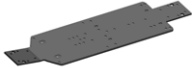
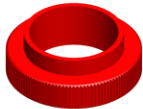


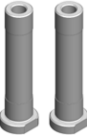
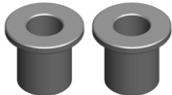








44

BODY INSTALLATION



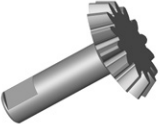

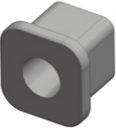






INSTALLATION DE LA CARROSSERIE • CARROSSERIE-INSTALLATIE • KAROSSERIE-INSTALLATION




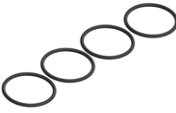





	C-00140-001	Chassis - Alu. 7075 - 1 pc		C-00140-009	Servo Saver Nut - Alu. - 1 pc
	C-00140-002	Diff Bulkhead Block - Composite 1 Set		C-00140-010	Servo Saver Sapcer Nut 2 Pcs
	C-00140-003	Servo Saver Pivot Shaft - Steel - 2 pcs		C-00140-011	Steering Plate Bushing - Steel - 2 pcs
	C-00140-004	Servo Saver - Composite - 1 set		C-00140-012	Steering Plate - Composite - 1 pc
	C-00140-007	Servo Saver Main Shaft - Alu. - 1 pc		C-00140-013	Center Outdrive Adapter - Steel - 1 pc
	C-00140-008	Servo Saver Spring - 1 pc		C-00140-014	Front Upper Steering Deck - Graphite 2mm - 1 pc






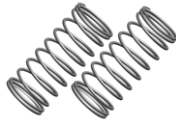





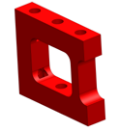
	C-00140-015	Servo Saver Stiffener - Graphite 2mm - 1 pc		C-00140-021	Shock Pivot Ball Screw - Steel - 2 pcs
	C-00140-016	Ball End Dia. 4.8mm - Thread 6mm - Steel - 4 pcs		C-00140-022	Shock Stay - Graphite 4mm - Rear - 1 pc
	C-00140-017	Body Post - Composite - Front/Rear - 1 Set		C-00140-023	Lower Suspension Arm Holder - Alu. 7075 - RF - 1 pc
	C-00140-018	Shock Stay - Graphite 4mm - Front - 1 pc		C-00140-024	Lower Suspension Arm Holder - Alu. 7075 - RR - 1 pc
	C-00140-019	Lower Suspension Arm Holder - Alu. 7075 - FR - 1 pc		C-00140-025	Wing Mount - Composite - 2 pcs
	C-00140-020	Lower Suspension Arm Holder - Alu. 7075 - FF - 1 pc		C-00140-026	Motor Bulkhead - Alu. 7075 - Part A - 1 pc

	C-00140-027	Center Bulkhead - Alu. 7075 - 1 pc		C-00140-034	Planetary Diff. Gears - Steel 1 Set
	C-00140-028	Chassis Side Guards - Composite - Left/Right - 1 Set		C-00140-035	Gear Diff. Outdrive Adapter - Steel 2 pcs
	C-00140-030	Ball End Dia. 4.8mm - Thread 8mm - Steel - 4 pcs		C-00140-036	Gear Diff. Outdrive Adapter Pin - Steel - 2x9.8mm - 4 pcs
	C-00140-031	Gear Diff Case - Composite - 1 pc		C-00140-037	Gear Diff. Pin - Alu. Hard Coated 2 pcs
	C-00140-032	O-Ring - Silicone - 5x8.5mm - 10 pcs		C-00140-039	Diff. Shim Rings - Steel - 3x9x- 0.4mm - 4 pcs
	C-00140-033	Diff. Shim Rings - Steel - 5x15x0.4mm - 4 pcs		C-00140-040	Diff. Gasket - 4 pcs


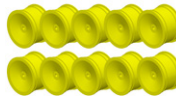
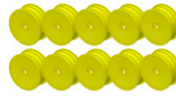


	C-00140-041	Diff. Bevel Gear 35T - Steel - 1 pc		C-00140-048	Suspension Arm - Composite - Rear - Left - 1 pc
	C-00140-042	Bevel Gear 14T - Steel - 1 pc		C-00140-049	Bumper - Composite - Front - 1 pc
	C-00140-043	Suspension Arm Holder Eccentric Bushing Composite : 0°•0,5°•1° - 1 Set		C-00140-050	C-Hub 9° Deg - Composite - Right - 1 pc
	C-00140-045	Suspension Arm Pivot Pin - Inner - Steel - 2 pcs		C-00140-051	C-Hub 9° Deg - Composite - Left - 1 pc
	C-00140-046	Suspension Arm - Composite - Front - 1 pc		C-00140-052	Suspension Arm Pivot Screw - Outer - Steel - 2 pcs
	C-00140-047	Suspension Arm - Composite - Rear - Right - 1 pc		C-00140-053	Steering Block - Composite - 1 pc

	C-00140-054	Steering Block Bushing - Steel - 2 pcs
	C-00140-055	Wheel Hub - Rear - Composite - 1 pc
	C-00140-056	Ball Joint 4.8mm - 4 pcs
	C-00140-057	Turnbuckle - 54mm - Steel - 2 pcs
	C-00140-058	Shock Body - Alu. 7075 - Rear - 2 pcs
	C-00140-059	Shock Body Spring Adj. Nut - Alu. - 2 pcs

	C-00140-060	O-ring - Rubber - 14x1mm - 4 pcs
	C-00140-061	Shock Body Cap - Lower - Alu. - 2 pcs
	C-00140-062	Shock Insert A 4 Pcs
	C-00140-063	Shock Body O-Ring - Silicone - 2.9x6.5mm - 10 pcs
	C-00140-065	Shock Body Cap - Top - Alu. - 2 pcs
	C-00140-066	Shock Body - Alu. 7075 - Front - 2 pcs






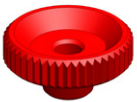
	C-00140-067	Shock Bushing - Composite - 4 pcs		C-00140-073	Shock Shaft - Rear - Steel - 2 pcs
	C-00140-068	Shock Shaft - Front - Steel - 2 pcs		C-00140-074	Shock Spring - Black - Medium - Rear - 2 pcs
	C-00140-069	Shock Ball Joint - Composite - 4 pcs		C-00140-075	Shock Spring - Black - Medium - Front - 2 pcs
	C-00140-070	Shock Pivot Ball 5.9mm - Alu. - 4 pcs		C-00140-076	Motor Mount - Alu. 7075 - Part B - 1 pc
	C-00140-071	Shock Spring Holder - Composite - 4 pcs		C-00140-077	Wheel Hex Adapter - Alu. - 4 pcs
	C-00140-072	Shock Piston - Composite - 2x 1.7mm Holes - 2 pcs		C-00140-078	Servo Mount - Alu. - 1 pc


	C-00140-079	Servo Mount Deck - Graphite 2mm - 1 pc
	C-00140-080	Servo Post - Alu - 1 pc
	C-00140-081	Servo Horn - Composite - 1 pc
	C-00140-082	Wing - Clear - Polycarbonate - 1 pc
	C-00140-083	Ball Joint 4.8mm - Short - 4 pcs
	C-00140-084	Wing Washer - Composite - 2 pcs

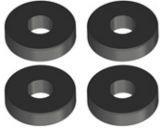


	C-00140-085	"Flextec" Rim - 2WD/4WD - Rear - Hex 12mm - 2 pcs
	C-00140-085-1	"Flextec" Rim - 2WD/4WD - Rear - Hex 12mm - 10 pcs
	C-00140-086	"Flextec" Rim - 4WD - Front - Hex 12mm - 2 pcs
	C-00140-086	"Flextec" Rim - 4WD - Front - Hex 12mm - 10 pcs
	C-00140-087	Chassis Brace - Composite - Front - 1 pc
	C-00140-088	Plate for Rear Chassis Brace - Composite - 1 pc





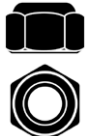
	C-00140-089	Chassis Brace - Composite - Rear - 1 pc
	C-00140-090	Slipper Clutch Shaft - Steel - 1 pc
	C-00140-091	Pin - Steel - 2x11mm - 4 pcs
	C-00140-092	Slipper Clutch Plate - Alu. - 2 pcs
	C-00140-093	Spur Gear 48DP - 81 Teeth - Composite - 1 pc
	C-00140-094	Slipper Clutch Pad - Composite - 2 pcs


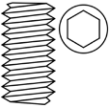
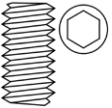
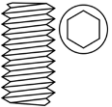
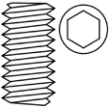
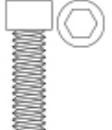
	C-00140-095	Slipper Clutch Spring - 1 pc
	C-00140-096	Slipper Clutch Nut - Alu. - 1 pc
	C-00140-097	Slipper Clutch Outdrive Adapter - Steel - 1 pc
	C-00140-098	Pin - Steel - 2x8mm - 4 pcs
	C-00140-099	Spur Gear Cover - Composite - 1 pc
	C-00140-100	Body - Clear - Polycarbonate - 1 pc

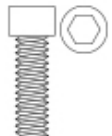
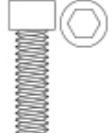
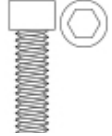
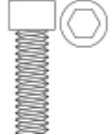
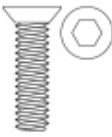
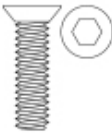
	C-00140-103	Wheel Drive Axle CVD - Front - Steel - 1 pc
	C-00140-104	Wheel Drive Axle CVD - Rear - Steel - 1 pc
	C-00140-105	Battery Lock - Composite - 2 pcs
	C-00140-106	Battery Post - Alu. - 1 pc
	C-00140-107	Battery Brace - Graphite 2mm - 1 pc
	C-00140-108	Battery Lock Nut - Alu. - 1 pc

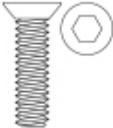
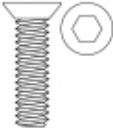
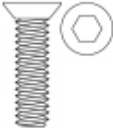
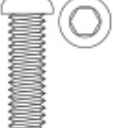
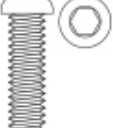
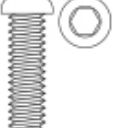
	C-00140-109	Center Drive Shaft - Front - Steel - 1 pc
	C-00140-110	Center Drive Shaft - Rear - Steel - 1 pc
	C-00140-111	Drive Shaft Safety Collar - Alu. - 2 pcs
	C-00140-112	Drive Shaft Coupling - Steel - 2 pcs
	C-00140-113	Drive Shaft for CVD - Rear - Steel - 1 pc
	C-00140-114	Drive Shaft for CVD - Front - Steel - 1 pc

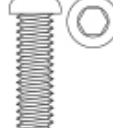
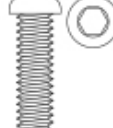
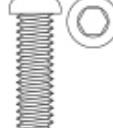

	C-00140-115	Chassis Plate for Rear Chassis Brace - Composite - 1 pc
	C-00140-117	Spacer - 3x8x2 - 4 pcs
	C-00140-119	Anti-Roll Bar - 1.4mm - 1 pc
	C-00140-120	Ball Joint 4.8mm - for Anti-Roll Bar - Composite - 4 pcs
	C-00140-121	Ball End 4.8mm - for Anti Roll Bar - Alu. - 4 pcs
	C-00140-148	O-ring - Rubber - 8x1mm - 4 pcs

	C-3611-1-05-08-25	Ball Bearing - Abec 3 5x8x2.5 4 Pcs
	C-3611-3-05-10-40	Ball Bearing - Abec 3 5x10x4 4 Pcs
	C-3611-3-05-11-40	Ball Bearing - Abec 3 5x11x4 4 Pcs
	C-3611-3-10-15-40	Ball Bearing - Abec 3 10x15x4 4 Pcs
	C-31002	Steel Nylstop Nut M3 - Black 10 Pcs


	C-3102-50-6	Steel Nylstop Nut - Flanged - M4 - Black 10 Pcs
	C-30150	Steel Set Screw M3x3mm
	C-30152	Steel Set Screw M3x8mm
	C-30156	Steel Set Screw M3x20mm
	C-30160	Steel Set Screw M4x4mm
	C-3001-20-05	Socket Head Screw DIN 912 M2 x 5mm 10 Pcs







	C-3001-16-06	Socket Head Screw DIN 912 M1.6 x 6mm 10 Pcs
	C-3001-20-06	Socket Head Screw DIN 912 M2 x 6mm 10 Pcs
	C-30030	Socket Head Screw DIN 912 M2.5 x 6mm 10 Pcs
	C-3001-30-14	Socket Head Screw DIN 912 M3 x 14mm 10 Pcs
	C-3002-25-08	Flat Head Screw DIN 7991 M2.5 x 8mm 10 Pcs
	C-30050	Flat Head Screw DIN 7991 M3 x 6mm 10 Pcs

	C-30051	Flat Head Screw DIN 7991 M3 x 8mm 10 Pcs
	C-30052	Flat Head Screw DIN 7991 M3 x 10mm 10 Pcs
	C-30053	Flat Head Screw DIN 7991 M3 x 12mm 10 Pcs
	C-30100	Button Head Screw DIN 7380 M3 x 6mm 10 Pcs
	C-30101	Button Head Screw DIN 7380 M3 x 8mm 10 Pcs
	C-30102	Button Head Screw DIN 7380 M3 x 10mm 10 Pcs




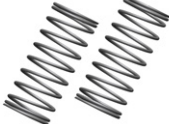
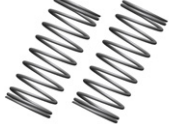

	C-30103	Button Head Screw DIN 7380 M3 x 12mm 10 Pcs
	C-3003-30-14	Button Head Screw DIN 7380 M3 x 14mm 10 Pcs
	C-3003-30-18	Button Head Screw DIN 7380 M3 x 18mm 10 Pcs
	C-32151-T	E-clips Ø2.3mm 10 Pcs




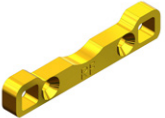

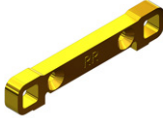

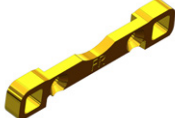
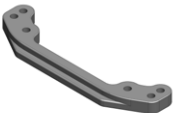



OPTION PARTS

	C-00140-122	Wing Washer - Alu. - 2 pcs
	C-00140-123	Wheel Hub - Alu - Rear - 1 pc
	C-00140-124	C-Hub 9° Deg - Alu - Right - 1 pc
	C-00140-125	C-Hub 9° Deg - Alu - Left - 1 pc
	C-00140-126	Suspension Arm Stiffener - Graphite - Rear Right - 1 pc

	C-00140-127	Suspension Arm Stiffener - Graphite - Rear Left - 1 pc
	C-00140-128	Suspension Arm Stiffener - Graphite - Front Right - 1 pc
	C-00140-129	Suspension Arm Stiffener - Graphite - Front Left - 1 pc
	C-00140-130	Anti-Roll Bar - 1.0mm - 1 pc
	C-00140-131	Anti-Roll Bar - 1.2mm - 1 pc
	C-00140-132	Anti-Roll Bar - 1.6mm - 1 pc

	C-00140-133	Anti-Roll Bar - 1.8mm - 1 pc
	C-00140-134	Anti-Roll Bar - 2.0mm - 1 pc
	C-00140-135	Slipper Clutch Pad - Graphite - 2 pcs
	C-00140-136	Chassis Stiffener - Graphite - Front - 1 pc
	C-00140-137-78	Spur Gear 48DP - Slipper - 78 Teeth - Delrin - CNC Cut - 1 pc
	C-00140-137-81	Spur Gear 48DP - Slipper - 81 Teeth - Delrin - CNC Cut - 1 pc

	C-00140-137-84	Spur Gear 48DP - Slipper - 84 Teeth - Delrin - CNC Cut - 1 pc
	C-00140-138	Shock Spring - Black - Soft - Rear - 2 pcs
	C-00140-139	Shock Spring - Black - Hard - Rear - 2 pcs
	C-00140-140	Shock Spring - Black - Soft - Front - 2 pcs
	C-00140-141	Shock Spring - Black - Hard - Front - 2 pcs
	C-00140-142	Shock Shaft - Front - TiNi - 2 pcs

	C-00140-143	Shock Shaft - Rear - TiNi - 2 pcs		C-00140-151	Chassis Stiffener - Graphite - Rear - 1 pc
	C-00140-144	Mount for 30mm Fan - Alu. - 1 pc		C-00140-152	Lower Suspension Arm Holder - Brass - Rear Front - 1 pc
	C-00140-145	Suspension Arm Pivot Pin - Inner - TiNi - 2 pcs		C-00140-153	Lower Suspension Arm Holder - Brass - Rear Rear - 1 pc
	C-00140-146	Turnbuckle - 54mm - Titanium - 2 pcs		C-00140-154	Lower Suspension Arm Holder - Brass - Front Rear - 1 pc
	C-00140-147	Steering Plate - Alu. - 1 pc		C-00140-155	Lower Suspension Arm Holder - Brass - Front Front - 1 pc
	C-00140-149	Servo Saver Arm - Alu. - Part B - 1 pc		C-00140-156-78	Spur Gear 48DP - Center Diff - 78 Teeth - Delrin - CNC Cut - 1 pc

	C-00140-156-81	Spur Gear 48DP - Center Diff - 81 Teeth - Delrin - CNC Cut - 1 pc
	C-00140-156-84	Spur Gear 48DP - Center Diff - 84 Teeth - Delrin - CNC Cut - 1 pc
	C-00140-159	Center Differential - 1 Set
	C-53102	ESC Ultra High Speed Cooling Fan 30mm - 6v-8,4V - Dual ball bearings - BEC connector



**www.corally.com**

This manual is an edition of Team Corally, Geelseweg 80, B-2250 OLEN (Belgium). This manual is protected by a copyright and nothing from this edition may be reproduced or used without any prior written authorisation. Whilst every effort has been made to ensure the accuracy of the information in this catalogue, errors do creep in and Team Corally can accept no responsibility for failures, wrong specifications, accuracy of colours, losses or damages caused. Team Corally denies any responsibility claims or damages caused by use of our products. Team Corally is not responsible for product changes or availability of our products. The products of dangerous nature included in this manual are submissive to special handling and storage specifications. Please check with your local authorities for existing legislation.



www.corally.com

Team Corally • Geelseweg 80 • 2250 Olen • Belgium
Tel: +32 14 25 92 94 • info@corally.com • www.corally.com